



kiwa

08



08



serie 1400

**RACCORDI A
COMPRESSIONE
PER TUBO
"COBRA-PEX"**
**COMPRESSION
FITTINGS FOR
"COBRA-PEX" PIPE**

RACCORDI A COMPRESSIONE PER TUBO "COBRA-PEX"

COMPRESSION FITTINGS FOR "COBRA-PEX" PIPE



ART. 1400
Raccordo diritto maschio
Straight fitting male

CODICE Code	TIPO Size	SPESSORE Thickness	PREZZO Price €	CONF. Unit/Box
1400G121103	12 x 3/8"	1,1	2,82	10/250
1400G122003	12 x 3/8"	2,0	2,64	10/250
1400G121104	12 x 1/2"	1,1	2,82	10/250
1400G122004	12 x 1/2"	2,0	1,75	10/250
1400G152503	15 x 3/8"	2,5	2,36	10/250
1400G152504	15 x 1/2"	2,5	1,71	10/250
1400G152505	15 x 3/4"	2,5	3,03	5/150
1400G161504	16 x 1/2"	1,5	2,31	10/250
1400G162003 *	16 x 3/8"	2,0	2,36	10/250
1400G162004	16 x 1/2"	2,0	1,65	10/250
1400G162204	16 x 1/2"	2,2	1,65	10/250
1400G162304	16 x 1/2"	2,3	1,65	10/250
1400G162005	16 x 3/4"	2,0	2,86	5/150
1400G162205	16 x 3/4"	2,2	2,71	5/150
1400G182004	18 x 1/2"	2,0	1,87	10/200
1400G182504	18 x 1/2"	2,5	1,87	10/200
1400G182005	18 x 3/4"	2,0	2,36	5/150
1400G182505	18 x 3/4"	2,5	2,50	5/150
1400G202004	20 x 1/2"	2,0	3,21	5/150
1400G202804	20 x 1/2"	2,8	3,21	5/150
1400G202005	20 x 3/4"	2,0	3,07	5/130
1400G202805	20 x 3/4"	2,8	3,45	5/130
1400G223004	22 x 1/2"	3,0	3,23	5/130
1400G223005	22 x 3/4"	3,0	2,82	5/120
1400G252305	25 x 3/4"	2,3	6,57	5/100
1400G253505	25 x 3/4"	3,5	5,12	5/110
1400G252306	25 x 1"	2,3	6,60	5/90
1400G253506	25 x 1"	3,5	5,68	5/90
1400G283005	28 x 3/4"	3,0	8,50	5/80
1400G284005	28 x 3/4"	4,0	9,45	5/80
1400G283006	28 x 1"	3,0	7,57	5/70
1400G284006	28 x 1"	4,0	8,50	5/80
1400G323005	32 x 3/4"	3,0	8,57	5/60
1400G323006	32 x 1"	3,0	8,57	5/50
1400G324406	32 x 1"	4,4	11,29	5/50
1400G323007 **	32 x 1"1/4	3,0	13,67	5/40

**consegna a richiesta / delivery on request



ART. 1402
Raccordo diritto femmina
Straight fitting female

CODICE Code	TIPO Size	SPESSORE Thickness	PREZZO Price €	CONF. Unit/Box
1402G121103 *	12 x 3/8"	1,1	2,82	10/250
1402G122003	12 X 3/8"	2,0	2,26	10/250
1402G121104	12 X 1/2"	1,1	2,82	10/200
1402G122004	12 x 1/2"	2,0	2,26	10/200
1402G152503	15 x 3/8"	2,5	2,26	10/200
1402G152504	15 x 1/2"	2,5	1,84	10/200
1402G152505	15 x 3/4"	2,5	2,74	5/150
1402G161504	16 x 1/2"	1,5	2,13	10/200
1402G162004	16 x 1/2"	2,0	1,84	10/200
1402G162204	16 x 1/2"	2,2	1,84	10/200
1402G162304	16 x 1/2"	2,3	1,84	10/200
1402G162005	16 x 3/4"	2,0	2,74	5/150
1402G162205	16 x 3/4"	2,2	2,74	5/150
1402G182004	18 x 1/2"	2,0	2,15	10/200
1402G182504	18 x 1/2"	2,5	1,95	10/200
1402G182005	18 x 3/4"	2,0	3,03	5/120
1402G182505	18 x 3/4"	2,5	3,03	5/120
1402G202004	20 x 1/2"	2,0	3,80	10/150
1402G202804	20 x 1/2"	2,8	3,80	10/150
1402G202005	20 x 3/4"	2,0	3,80	5/120
1402G202805	20 x 3/4"	2,8	3,80	5/120
1402G223004	22 x 1/2"	3,0	3,80	5/120
1402G223005	22 x 3/4"	3,0	3,07	5/120
1402G223006	22 x 1"	3,0	6,60	5/80
1402G252305	25 x 3/4"	2,3	7,09	5/110
1402G253505	25 x 3/4"	3,5	7,09	5/110
1402G252306	25 x 1"	2,3	8,30	5/80
1402G253506	25 x 1"	3,5	7,57	5/90
1402G283005	28 x 3/4"	3,0	8,50	5/90
1402G284005	28 x 3/4"	4,0	9,45	5/90
1402G283006	28 x 1"	3,0	7,57	5/80
1402G284006	28 x 1"	4,0	8,50	5/80
1402G323005 *	32 x 3/4"	3,0	11,31	5/60
1402G323006	32 x 1"	3,0	11,34	5/50
1402G324406	32 x 1"	4,4	12,84	5/50

* Fino ad esaurimento scorta / until out of stock

RACCORDI A COMPRESSIONE PER TUBO "COBRA-PEX"

COMPRESSION FITTINGS FOR "COBRA-PEX" PIPE



ART. 1401
Raccordo diritto doppio
Straight fitting double

CODICE Code	TIPO Size	SPESORE Thickness	PREZZO Price €	CONF. Unit/Box
1401G121100 *	12 x 12	1,1	3,03	10/200
1401G122000	12 x 12	2,0	3,03	10/200
1401G152500	15 x 15	2,5	3,03	10/200
1401G161500 *	16 x 16	1,5	3,19	10/200
1401G162000	16 x 16	2,0	3,03	10/200
1401G162200	16 x 16	2,2	3,23	10/200
1401G162300	16 x 16	2,3	3,11	10/200
1401G182000	18 x 18	2,0	3,58	10/150
1401G182500	18 x 18	2,5	3,23	10/150
1401G202000	20 x 20	2,0	6,15	5/100
1401G202800	20 x 20	2,8	6,15	5/100
1401G223000	22 x 22	3,0	5,65	5/100
1401G252300	25 x 25	2,3	10,38	5/70
1401G253500	25 x 25	3,5	10,38	5/70
1401G283000	28 x 28	3,0	10,38	5/50
1401G284000	28 x 28	4,0	11,34	5/50
1401G323000	32 x 32	3,0	14,19	5/35
1401G324400	32 x 32	4,4	15,88	5/35



ART. 1411
Raccordo diritto doppio ridotto
Reduced union

CODICE Code	TIPO Size	SPESORE Thickness	PREZZO Price €	CONF. Unit/Box
1411G221500 *	22x15	3,0/2,5	6,18	5/120
1411G221800	22x18	3,0/2,5	6,18	5/100
1411G282200 *	28 x 22	3,0/3,0	16,78	5/70



ART. 1404
Raccordo curvo maschio
Elbow male

CODICE Code	TIPO Size	SPESORE Thickness	PREZZO Price €	CONF. Unit/Box
1404G121104	12 x 1/2"	1,1	3,19	10/200
1404G122004	12 x 1/2"	2,0	3,19	10/200
1404G152504	15 x 1/2"	2,5	2,82	10/200
1404G152505	15 x 3/4"	2,5	3,73	5/120
1404G161504 *	16 x 1/2"	1,5	3,19	10/200
1404G162004	16 x 1/2"	2,0	2,82	10/200
1404G162204	16 x 1/2"	2,2	2,82	10/200
1404G162005	16 x 3/4"	2,0	3,57	5/130
1404G162205	16 x 3/4"	2,2	3,80	5/130
1404G182004	18 x 1/2"	2,0	4,27	10/150
1404G182504	18 x 1/2"	2,5	4,07	10/150
1404G182505	18 x 3/4"	2,5	4,45	5/120
1404G202004	20 x 1/2"	2,0	5,49	10/120
1404G202804	20 x 1/2"	2,8	5,86	10/120
1404G202005	20 x 3/4"	2,0	5,52	5/100
1404G202805	20 x 3/4"	2,8	4,74	5/100
1404G223005	22 x 3/4"	3,0	8,97	5/90
1404G252305	25 x 3/4"	2,3	8,47	5/90
1404G253505	25 x 3/4"	3,5	8,97	5/90
1404G252306	25 x 1"	2,3	8,47	5/70
1404G253506	25 x 1"	3,5	8,97	5/70
1404G283006	28 x 1"	3,0	9,45	5/60
1404G284006	28 x 1"	4,0	10,38	5/60
1404G323005 *	32 x 3/4"	3,0	14,16	5/35
1404G323006	32 x 1"	3,0	11,16	5/35
1404G324406	32 x 1"	4,4	14,13	5/35
1404G323007 **	32 x 1"1/4	3,0	17,03	5/35

**consegna a richiesta / delivery on request



ART. 1403
Raccordo curvo doppio
Elbow double

CODICE Code	TIPO Size	SPESORE Thickness	PREZZO Price €	CONF. Unit/Box
1403G121100	12 x 12	1,1	4,41	10/150
1403G122000	12 x 12	2,0	4,41	10/150
1403G152500	15 x 15	2,5	3,52	10/150
1403G161500	16 x 16	1,5	4,07	10/150
1403G162000	16 x 16	2,0	3,80	10/150
1403G162200	16 x 16	2,2	3,86	10/150
1403G182000	18 x 18	2,0	4,68	10/120
1403G182500	18 x 18	2,5	4,77	10/120
1403G202000	20 x 20	2,0	6,44	5/80
1403G202800	20 x 20	2,8	6,60	5/80
1403G223000	22 x 22	3,0	6,44	5/70
1403G252300	25 x 25	2,3	11,57	5/60
1403G253500 *	25 x 25	3,5	11,57	5/60
1403G283000	28 x 28	3,0	13,21	5/40
1403G284000	28 x 28	4,0	14,19	5/40
1403G323000	32 x 32	3,0	16,98	5/25
1403G324400 *	32 x 32	4,4	20,19	5/25



ART. 1412
Raccordo curvo doppio ridotto
Reduced elbow

CODICE Code	TIPO Size	SPESORE Thickness	PREZZO Price €	CONF. Unit/Box
1412G221500 *	22 x 15	3,0/2,5	7,35	5/80

* Fino ad esaurimento scorta / until out of stock

RACCORDI A COMPRESSIONE PER TUBO "COBRA-PEX"

COMPRESSION FITTINGS FOR "COBRA-PEX" PIPE



ART. 1405
Raccordo curvo femmina
Elbow female

CODICE Code	TIPO Size	SPESORE Thickness	PREZZO Price €	CONF. Unit/Box
1405G121104	12 x 1/2"	1,1	3,94	10/150
1405G122004	12 x 1/2"	2,0	2,82	10/150
1405G152504	15 x 1/2"	2,5	2,55	10/150
1405G152505	15 x 3/4"	2,5	4,77	5/100
1405G161504 *	16 x 1/2"	1,5	4,09	10/150
1405G162004	16 x 1/2"	2,0	2,41	10/150
1405G162204	16 x 1/2"	2,2	2,55	10/150
1405G162304	16 x 1/2"	2,3	2,55	10/150
1405G162005	16 x 3/4"	2,0	3,54	5/100
1405G162205	16 x 3/4"	2,2	5,29	5/100
1405G162305 *	16 x 3/4"	2,3	5,29	5/100
1405G182004	18 x 1/2"	2,0	3,79	10/120
1405G182504	18 x 1/2"	2,5	3,39	10/120
1405G182505	18 x 3/4"	2,5	5,13	5/90
1405G202004	20 x 1/2"	2,0	4,28	5/100
1405G202804	20 x 1/2"	2,8	4,28	5/100
1405G202005	20 x 3/4"	2,0	5,12	5/80
1405G202805	20 x 3/4"	2,8	5,12	5/80
1405G223004	22 x 1/2"	3,0	4,35	5/90
1405G223005	22 x 3/4"	3,0	4,89	5/80
1405G252305	25 x 3/4"	2,3	9,25	5/50
1405G253505	25 x 3/4"	3,5	9,25	5/80
1405G252306	25 x 1"	2,3	9,25	5/60
1405G253506 *	25 x 1"	3,5	9,25	5/60
1405G283006	28 x 1"	3,0	8,50	5/50
1405G284006	28 x 1"	4,0	9,45	5/60
1405G323006	32 x 1"	3,0	12,36	5/35
1405G324406 *	32 x 1"	4,4	13,60	5/35



ART. 1406
Raccordo curvo femmina con flangia
a 3 fori
Wallplate elbow female with 3 holes

CODICE Code	TIPO Size	SPESORE Thickness	PREZZO Price €	CONF. Unit/Box
1406G121104	12 x 1/2"	1,1	3,24	10/100
1406G122004	12 x 1/2"	2,0	3,72	10/100
1406G152504	15 x 1/2"	2,5	3,28	10/100
1406G161504	16 x 1/2"	1,5	5,26	10/100
1406G162004	16 x 1/2"	2,0	3,54	10/100
1406G162204	16 x 1/2"	2,2	3,65	10/100
1406G182004	18 x 1/2"	2,0	3,82	5/80
1406G182504	18 x 1/2"	2,5	3,54	5/80



ART. 1407
Raccordo a T
Tee

CODICE Code	TIPO Size	SPESORE Thickness	PREZZO Price €	CONF. Unit/Box
1407G121100	12 x 12 x 12	1,1	7,79	10/100
1407G122000	12 x 12 x 12	2,0	5,57	10/100
1407G152500	15 x 15 x 15	2,5	4,83	10/100
1407G161500 *	16 x 16 x 16	1,5	5,12	10/100
1407G162000	16 x 16 x 16	2,0	4,29	10/100
1407G162200	16 x 16 x 16	2,2	5,12	10/100
1407G182000	18 x 18 x 18	2,0	6,60	5/60
1407G182500	18 x 18 x 18	2,5	6,26	5/60
1407G202000	20 x 20 x 20	2,0	8,50	5/50
1407G202800	20 x 20 x 20	2,8	8,70	5/50
1407G223000	22 x 22 x 22	3,0	8,13	5/40
1407G252300	25 x 25 x 25	2,3	16,82	5/35
1407G253500	25 x 25 x 25	3,5	16,82	5/35
1407G283000	28 x 28 x 28	3,0	17,48	5/25
1407G284000 *	28 x 28 x 28	4,0	19,42	5/25
1407G323000	32 x 32 x 32	3,0	23,59	5/15
1407G324400 *	32 x 32 x 32	4,4	26,43	5/15



ART. 1413
Raccordo a T ridotto
Reduced tee

CODICE Code	TIPO Size	SPESORE Thickness	PREZZO Price €	CONF. Unit/Box
1413G152215 *	15 x 22 x 15	2,5/3,0/2,5	9,45	5/60
1413G181515 *	18 x 15 x 15	2,5/2,5/2,5	7,57	5/70
1413G181518	18 x 15 x 18	2,5/2,5/2,5	7,57	5/70
1413G181815 *	18 x 18 x 15	2,5/2,5/2,5	7,57	5/70
1413G182218 *	18 x 22 x 18	2,5/3,0/2,5	10,95	5/50
1413G201616 *	20 x 16 x 16	2,0/2,0/2,0	10,95	5/50
1413G201620 *	20 x 16 x 20	2,0/2,0/2,0	10,95	5/50
1413G202016 *	20 x 20 x 16	2,0/2,0/2,0	10,95	5/50
1413G221515 *	22 x 15 x 15	3,0/2,5/2,5	10,95	5/50
1413G221522 *	22 x 15 x 22	3,0/2,5/3,0	10,95	5/50
1413G221818 *	22 x 18 x 18	3,0/2,5/2,5	10,95	5/50
1413G221822 *	22 x 18 x 22	3,0/2,5/3,0	10,95	5/50
1413G222215 *	22 x 22 x 15	3,0/3,0/2,5	10,95	5/50
1413G222218 *	22 x 22 x 18	3,0/3,0/2,5	10,95	5/50

* Fino ad esaurimento scorta / until out of stock

RACCORDI A COMPRESSIONE PER TUBO "COBRA-PEX"

COMPRESSION FITTINGS FOR "COBRA-PEX" PIPE



ART. 1408

Raccordo a T maschio
Tee male

CODICE Code	TIPO Size	SPESSORE Thickness	PREZZO Price €	CONF. Unit/Box
1408G121104 *	12 x 1/2" x 12	1,1	6,10	10/120
1408G122004	12 x 1/2" x 12	2,0	6,10	10/100
1408G152504	15 x 1/2" x 15	2,5	5,38	10/100
1408G161504 *	16 x 1/2" x 16	1,5	5,38	10/100
1408G162004	16 x 1/2" x 16	2,0	4,28	10/100
1408G162204	16 x 1/2" x 16	2,2	5,29	10/100
1408G162304 *	16 x 1/2" x 16	2,3	5,29	10/100
1408G182004	18 x 1/2" x 18	2,0	5,49	5/80
1408G182504	18 x 1/2" x 18	2,5	5,49	5/80
1408G202005 *	20 x 3/4" x 20	2,0	7,85	5/60
1408G202805	20 x 3/4" x 20	2,8	8,03	5/60
1408G223004	22 x 1/2" x 22	3,0	7,57	5/60
1408G223005	22 x 3/4" x 22	3,0	7,57	5/60
1408G252305 *	25 x 3/4" x 25	2,3	14,19	5/50
1408G252306	25 x 1" x 25	2,3	14,19	5/40
1408G253506 *	25 x 1" x 25	3,5	14,19	5/40
1408G283006	28 x 1" x 28	3,0	14,13	5/30
1408G323006	32 x 1" x 32	3,0	20,48	5/20
1408G324406 *	32 x 1" x 32	4,4	20,48	5/20



ART. 1409

Raccordo a T femmina
Tee female

CODICE Code	TIPO Size	SPESSORE Thickness	PREZZO Price €	CONF. Unit/Box
1409G121104 *	12 x 1/2" x 12	1,1	6,16	10/100
1409G122004	12 x 1/2" x 12	2,0	6,16	10/100
1409G152504	15 x 1/2" x 15	2,5	4,50	10/100
1409G161504 *	16 x 1/2" x 16	1,5	4,50	10/90
1409G162004	16 x 1/2" x 16	2,0	4,00	10/90
1409G162204	16 x 1/2" x 16	2,2	4,96	10/90
1409G182004	18 x 1/2" x 18	2,0	5,26	5/70
1409G182504	18 x 1/2" x 18	2,5	5,26	5/70
1409G202004	20 x 1/2" x 20	2,0	9,07	5/60
1409G202804 *	20 x 1/2" x 20	2,8	9,07	5/60
1409G202005	20 x 3/4" x 20	2,0	9,62	5/50
1409G202805	20 x 3/4" x 20	2,8	9,62	5/50
1409G223004	22 x 1/2" x 22	3,0	8,70	5/50
1409G223005	22 x 3/4" x 22	3,0	7,74	5/40
1409G252305	25 x 3/4" x 25	2,3	14,19	5/40
1409G253505	25 x 3/4" x 25	3,5	14,19	5/40
1409G283005	28 x 3/4" x 28	3,0	16,05	5/35
1409G283006	28 x 1" x 28	3,0	14,74	5/30
1409G284006 *	28 x 1" x 28	4,0	16,78	5/30
1409G323005	32 x 3/4" x 32	3,0	19,42	5/20
1409G324405 *	32 x 3/4" x 32	4,4	19,42	5/20
1409G323006	32 x 1" x 32	3,0	19,42	5/20



ART. 1410

Raccordo a croce
Cross

CODICE Code	TIPO Size	SPESSORE Thickness	PREZZO Price €	CONF. Unit/Box
1410G15151515 *	15x15x15x15	2,5	13,24	5/60
1410G18181818	18x18x18x18	2,5	14,33	5/60
1410G22222222	22x22x22x22	3,0	22,67	5/35



ART. 1133

Raccordo curvo doppio
tubo rame / tubo pex
Elbow double copper pipe / pex pipe

CODICE Code	TIPO Size	PREZZO Price €	CONF. Unit/Box
1133G221825	22 (Cu)/18 sp. 2,5 (Pex)	vedi cap. 25	5/100
1133G222230	22 (Cu)/22 sp. 3,0 (Pex)	vedi cap. 25	5/100



ART. 1138

Raccordo a T tubo rame / tubo
Pex / tubo rame
Tee copper pipe / Pex pipe
/ copper pipe

CODICE Code	TIPO Size	PREZZO Price €	CONF. Unit/Box
1138G22182522	22 (Cu)/18 sp. 2,5 (Pex)/22(Cu)	vedi cap. 25	5/50
1138G22223022	22 (Cu)/22 sp. 3,0 (Pex)/22(Cu)	vedi cap. 25	5/50

* Fino ad esaurimento scorta / until out of stock

RACCORDI A COMPRESSIONE PER TUBO "COBRA-PEX"

COMPRESSION FITTINGS FOR "COBRA-PEX" PIPE



ART. 1415

Dado
Nut

CODICE Code	TIPO Size	PREZZO Price €	CONF. Unit/Box
1415G001204	12	0,89	50/700
1415G001504	15	0,89	50/700
1415G001604	16	0,89	50/700
1415G001824	18	1,19	50/500
1415G002005	20	1,42	50/400
1415G002228	22	1,42	50/300
1415G002532	25	1,95	10/200
1415G002836	28	2,84	10/150
1415G003242	32	4,30	10/200



ART. 1416

Ogiva in ottone
Brass compression ring

CODICE Code	TIPO Size	PREZZO Price €	CONF. Unit/Box
1416G0812	12	0,38	50/2500
1416G0815	15	0,47	50/2300
1416G0816	16	0,52	50/2300
1416G0918	18	0,58	50/1000
1416G1020	20	0,65	50/1200
1416G0922	22	0,68	50/1400
1416G1225	25	1,78	50/800
1416G1228	28	1,83	50/700
1416G1332	32	1,99	10/400



ART. 1450

Raccordo diritto maschio 1/2" con
O-Ring, tubo PE-X per collettori barra
Straight fitting male PE-X pipe with
O-Ring for bar manifolds

CODICE Code	TIPO Size	PREZZO Price €	CONF. Unit/Box
1450G162004	16 x 2,0	vedi cap. 20	10/250
1450G162204	16 x 2,2	vedi cap. 20	10/250
1450G202004 *	20 x 2,0	vedi cap. 20	5/150
1450G202804	20 x 2,8	vedi cap. 20	5/150

* Fino ad esaurimento scorta / until out of stock

RACCORDI A COMPRESSIONE PER TUBO "COBRA-PEX"

COMPRESSION FITTINGS FOR "COBRA-PEX" PIPE



ART. 1428MP

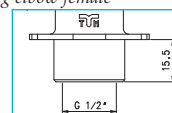
Interasse fori fissaggio = 34 mm
Interaxis fixing hole = 34 mm

Raccordo curvo 105° femmina
105° Elbow female



ART. 1428XL

Raccordo curvo 105° femmina-lungo
105° long elbow female



CODICE Code	TIPO Size	SPESORE Thickness	PREZZO Price €	CONF. Unit/Box
1428G121104MP	12 x 1/2"	1,1	3,52	10/120
1428G122004MP	12 x 1/2"	2,0	3,52	10/120
1428G1504MP **	15 x 1/2"	tutti/all	3,01	10/120
1428G152504MP	15 x 1/2"	2,5	3,52	10/120
1428G1604MP **	16 x 1/2"	tutti/all	3,01	10/120
1428G162004MP	16 x 1/2"	2,0	2,65	10/120
1428G162204MP	16 x 1/2"	2,2	2,65	10/120
1428G182004MP	18 x 1/2"	2,0	5,38	10/100
1428G182504MP	18 x 1/2"	2,5	5,38	10/100
1428G202004MP	20 x 1/2"	2,0	4,59	5/100
1428G202804MP	20 x 1/2"	2,8	4,41	5/100

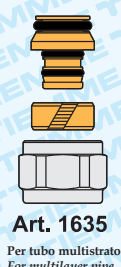
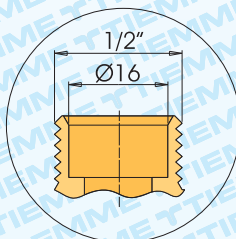
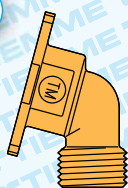
CODICE Code	TIPO Size	SPESORE Thickness	PREZZO Price €	CONF. Unit/Box
1428G122004XL*	12 x 1/2"	2,0	5,38	10/100
1428G162004XL*	16 x 1/2"	2,0	4,77	10/100
1428G162204XL	16 x 1/2"	2,2	4,77	10/100

* Fino ad esaurimento scorta / until out of stock

** raccordo in esecuzione senza portagomma
per connessione tubo vedi GUIDA ALLE CONNESSIONI (vedi sotto) e cap. 12 WATERBLOCK/cap. 20 COLLETTORI DI DISTRIBUZIONE
fittings without hose connection
for pipe connection see CONNECTION GUIDE (see below) and chap. 12 WATERBLOCK/chap. 20 MANIFOLDS

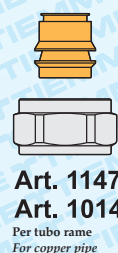
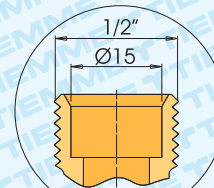
ART. 1428G1604MP

GUIDA ALLE CONNESSIONI CONNECTION GUIDE



ART. 1428G1504MP

GUIDA ALLE CONNESSIONI CONNECTION GUIDE



NEW

RACCORDI A COMPRESSIONE PER TUBO "COBRA-PEX" CON BARRIERA ANTI-OSSIGENO
COMPRESSION FITTINGS FOR EVOH "COBRA-PEX" PIPE



ART. 1400AD
 Raccordo diritto maschio
Straight fitting male

CODICE Code	TIPO Size	SPESSORE Thickness	PREZZO Price €	CONF. Unit/Box
1400G142004AD	14 x 1/2"	2,0	2,13	10/250
1400G162004AD	16 x 1/2"	2,0	1,89	10/250
1400G172004AD	17 x 1/2"	2,0	2,09	10/200
1400G182004AD *	18 x 1/2"	2,0	2,09	10/200
1400G202004AD	20 x 1/2"	2,0	3,52	5/150
1400G202005AD	20 x 3/4"	2,0	3,45	5/130



ART. 1401AD
 Raccordo diritto doppio
Straight fitting double

CODICE Code	TIPO Size	SPESSORE Thickness	PREZZO Price €	CONF. Unit/Box
1401G142000AD	14 x 14	2,0	3,36	10/200
1401G162000AD	16 x 16	2,0	3,47	10/200
1401G172000AD	17 x 17	2,0	3,98	10/150
1401G182000AD	18 x 18	2,0	3,98	10/150
1401G202000AD	20 x 20	2,0	6,60	5/100



ART. 1402AD
 Raccordo diritto femmina
Straight fitting female

CODICE Code	TIPO Size	SPESSORE Thickness	PREZZO Price €	CONF. Unit/Box
1402G162004AD	16 x 1/2"	2,0	2,24	10/200
1402G172004AD	17 x 1/2"	2,0	2,15	10/200
1402G182004AD *	18 x 1/2"	2,0	2,15	10/200
1402G202005AD *	20 x 3/4"	2,0	4,15	5/120



ART. 1403AD
 Raccordo curvo doppio
Elbow double

CODICE Code	TIPO Size	SPESSORE Thickness	PREZZO Price €	CONF. Unit/Box
1403G142000AD *	14 x 14	2,0	4,41	10/150
1403G162000AD *	16 x 16	2,0	4,15	10/150
1403G172000AD *	17 x 17	2,0	4,89	10/120
1403G182000AD *	18 x 18	2,0	4,89	10/120
1403G202000AD *	20 x 20	2,0	6,60	5/80



ART. 1404AD
 Raccordo curvo maschio
Elbow male

CODICE Code	TIPO Size	SPESSORE Thickness	PREZZO Price €	CONF. Unit/Box
1404G142004AD *	14 x 1/2"	2,0	3,18	10/200
1404G162004AD	16 x 1/2"	2,0	3,18	10/200
1404G172004AD *	17 x 1/2"	2,0	3,90	10/150
1404G202004AD	20 x 1/2"	2,0	6,05	10/120



ART. 1405AD
 Raccordo curvo femmina
Elbow female

CODICE Code	TIPO Size	SPESSORE Thickness	PREZZO Price €	CONF. Unit/Box
1405G142004AD *	14 x 1/2"	2,0	2,82	10/150
1405G172004AD	17 x 1/2"	2,0	3,80	10/120
1405G182004AD *	18 x 1/2"	2,0	3,80	10/120
1405G202004AD *	20 x 1/2"	2,0	4,74	5/100

* Fino ad esaurimento scorta / until out of stock

RACCORDI A COMPRESSIONE PER TUBO "COBRA-PEX" CON BARRIERA ANTI-OSSIGENO
COMPRESSION FITTINGS FOR EVOH "COBRA-PEX" PIPE



ART. 1406AD
 Raccordo curvo femmina con flangia a 3 fori
Wallplate elbow female with 3 holes

CODICE Code	TIPO Size	SPESSORE Thickness	PREZZO Price €	CONF. Unit/Box
1406G142004AD*	14 x 1/2"	2,0	3,94	10/100
1406G162004AD	16 x 1/2"	2,0	3,94	10/100
1406G172004AD	17 x 1/2"	2,0	4,07	5/80
1406G182004AD*	18 x 1/2"	2,0	4,07	5/80



ART. 1407AD
 Raccordo a T
Tee

CODICE Code	TIPO Size	SPESSORE Thickness	PREZZO Price €	CONF. Unit/Box
1407G142000AD *	14 x 14 x 14	2,0	5,68	10/100
1407G162000AD *	16 x 16 x 16	2,0	5,68	10/100
1407G172000AD *	17 x 17 x 17	2,0	6,93	5/60
1407G182000AD *	18 x 18 x 18	2,0	6,93	5/60
1407G202000AD *	20 x 20 x 20	2,0	9,25	5/50



ART. 1409AD
 Raccordo a T femmina
Tee female

CODICE Code	TIPO Size	SPESSORE Thickness	PREZZO Price €	CONF. Unit/Box
1409G142004AD *	14 x 1/2" x 14	2,0	6,16	10/100
1409G172004AD *	17 x 1/2" x 17	2,0	5,96	5/70
1409G202004AD	20 x 1/2" x 20	2,0	9,43	5/60



ART. 1415AD
 Dado
Nut

CODICE Code	TIPO Size	PREZZO Price €	CONF. Unit/Box
1415G001404AD	14	1,23	50/700
1415G001621AD	16	1,23	50/700
1415G001724AD	17	1,39	50/500
1415G001824AD	18	1,39	50/500
1415G002005AD	20	1,67	50/400



ART. 1416AD
 Ogiva
Brass compression ring

CODICE Code	TIPO Size	PREZZO Price €	CONF. Unit/Box
1416G0814AD	14	0,47	50/2500
1416G0816AD	16	0,52	50/2300
1416G0917AD	17	0,53	50/1500
1416G0918AD	18	0,58	50/2000
1416G0920AD	20	0,65	50/1500



ART. 1418AD
 Raccordo curvo 105° femmina
105° elbow female

CODICE Code	TIPO Size	SPESSORE Thickness	PREZZO Price €	CONF. Unit/Box
1418G162004AD	16 x 1/2"	2,0	4,95	10/100

* Fino ad esaurimento scorta / until out of stock

ACCESSORI PER RACCORDI A COMPRESSIONE PER TUBO "COBRA-PEX" ACCESSORIES FOR COMPRESSION FITTINGS FOR "COBRA-PEX" PIPE



ART. 1481
Per art. 1406-1406AD
For art. 1406-1406AD-1656DF
Staffa per curve flangiate
Bracket for wallplate elbow

CODICE Code	TIPO Size	PREZZO Price €	CONF. Unit/Box
1481Z0025	unica - single	2,03	1/100



ART. 1491
Staffa doppia frazionabile
Double divisible bracket

Per art. 1490-1490P43
For art. 1490-1490P43

CODICE Code	TIPO Size	PREZZO Price €	CONF. Unit/Box
1491Z1531	unica - single	3,29	1/150



ART. 1490P43
Box plastica per art. 1418-1428MP
Plastic box ART. 1418-1428MP

CODICE Code	TIPO Size	PREZZO Price €	CONF. Unit/Box
1490P4323IN	PER GUAINA Ø 23 SHEATH	2,03	1/100
1490P4327IN	PER GUAINA Ø 27 SHEATH	1,89	1/100

Altezza box / Box height H=59 mm



ART. 1492MP
Box in plastica pareti sottili per art. 1428MP
Plastic box thin walls for art. 1428MP

CODICE Code	TIPO Size	PREZZO Price €	CONF. Unit/Box
1492P2420MP	TAPPO Ø GUAINA 23 CAP Ø SHEATH 23	1,89	1/100

Altezza box / Box height H=46 mm



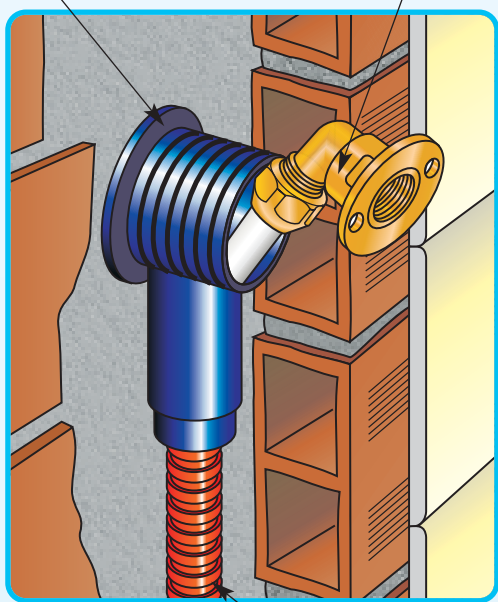
ART. 1490
Box plastica divisibile per art. 1428MP
Divisible plastic box for art. 1428MP

CODICE Code	TIPO Size	PREZZO Price €	CONF. Unit/Box
1490P2723IN	PER GUAINA Ø 23 E 27 for sheath Ø 23 and 27	2,00	1/90

Altezza box / Box height H=55 mm

Art. 1490

Art. 1418 - 1428



Tubo COBRA-PEX Art. 0800R
COBRA-PEX pipe Art. 0800R

ACCESSORI PER RACCORDI A COMPRESSIONE PER TUBO "COBRA-PEX" ACCESSORIES FOR COMPRESSION FITTINGS FOR "COBRA-PEX" PIPE



ART. 1420K

Raccordo curvo femmina con attacco 24x19 fil (Ø 18) da utilizzare con box 1420P
Elbow female with 24x19 tpi (Ø 18) adaptor connection to be used with box type 1420P

CODICE Code	TIPO Size	PREZZO Price €	CONF. Unit/Box
1420K181904	1/2"-24x19 fil (Ø 18)	2,48	10/100



ART. 1420K (PEX)

Raccordo curvo femmina con attacco per tubo pex da utilizzare con box 1420P
Elbow female with PEX pipe connection to be used with plastic box 1420P

CODICE Code	TIPO Size	PREZZO Price €	CONF. Unit/Box
1420K152504	15 sp 2,5 - 1/2"	4,29	10/100
1420K162004	16 sp 2,0 - 1/2"	4,29	10/100
1420K182004	18 sp 2,0 - 1/2"	4,57	10/100
1420K182504	18 sp 2,5 - 1/2"	4,57	10/100



ART. 1420P

Box in plastica per art.1420K
Plastic box for art. 1420K

CODICE Code	TIPO Size	PREZZO Price €	CONF. Unit/Box
1420P2327IN	per guaina Ø 23 e Ø 27 for sheath Ø 23 and Ø 27	1,87	1/100



ART. 1420Z

Staffa doppia per fissaggio box art. 1420P
Steel bracket to fix plastic box art. 1420P

CODICE Code	TIPO Size	PREZZO Price €	CONF. Unit/Box
1420Z3850100	int. 38, 50 o/ or 100	5,01	1/100
1420Z0038150	int. 38 o/ or 150	5,40	1/100



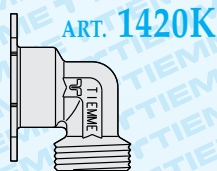
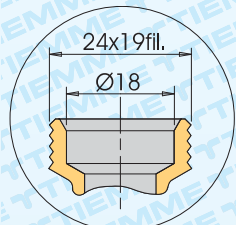
ART. 1505C04

Tubetto in rame cromato per collegamento elementi radianti
Chrome plated copper tube for radiators connection

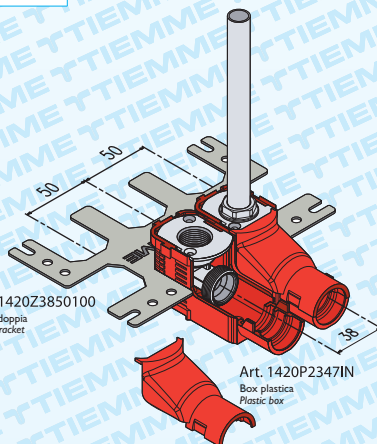
CODICE Code	TIPO Size	PREZZO Price €	CONF. Unit/Box
1505C0415150	Ø15 x 1/2" L=150 mm	7,76	5/30

ART. 1420K - 1420KPEX

GUIDA ALLE CONNESSIONI / CONNECTION GUIDE



Art. 1420Z3850100
Staffa doppia
Steel bracket



Art. 1420P2347IN
Box plastica
Plastic box

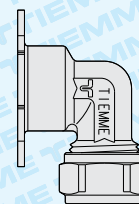
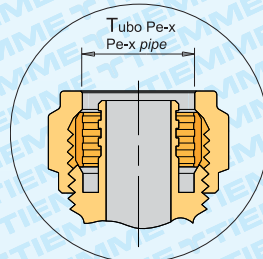
Art. 1505C0415150
Tubetto cromato
Chrome-plated tube

Art. 1420K181904
Raccordo universale
Universal fitting

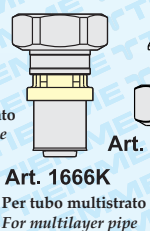
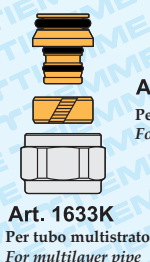
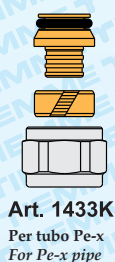
Art. 1420Z0038150
Staffa doppia
Steel bracket

Art. 1420P2347IN
Box plastica
Plastic box

ART. 1420K (PEX)



Per tubo Pe-x
For Pe-x pipe



RACCORDI A COMPRESSIONE PER TUBO "COBRA-PEX" COMPRESSION FITTINGS FOR "COBRA-PEX" PIPE

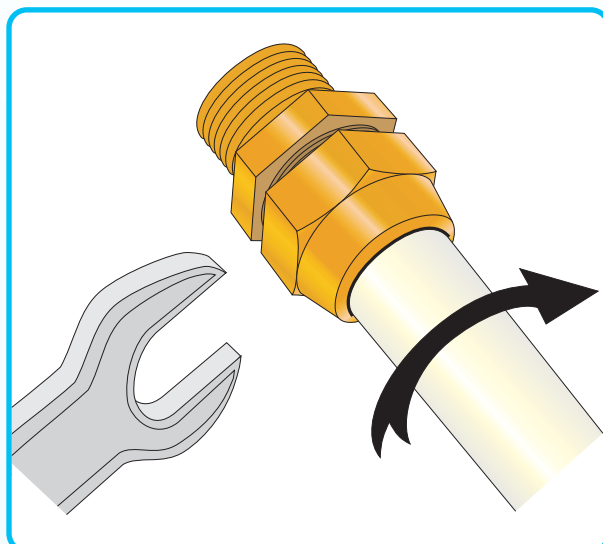
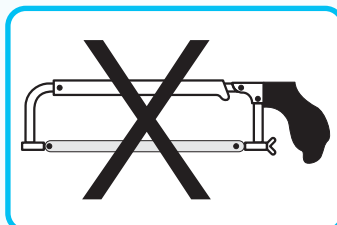
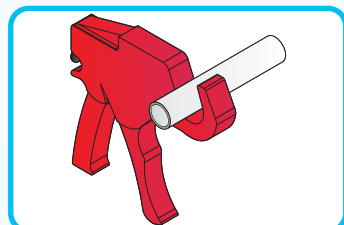
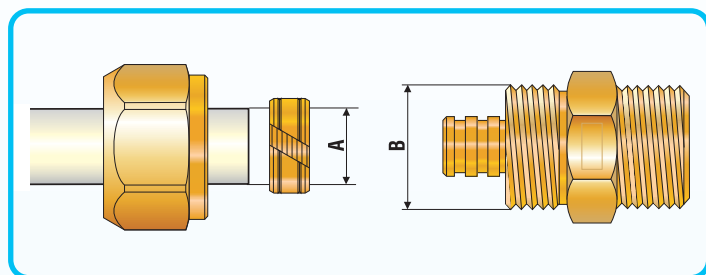


TABELLA FILETTATURE DADI/THREADS TABLE FOR NUTS

A	10	12	15	16	17	18	20	22	25	28	32
B	G 3/8"	G 1/2"	G 1/2"	G 1/2"	M24 x 1,5	M24 x 1,5	G 3/4"	M28 x 1,5	M32 x 1,5	M36 x 1,5	M42 x 1,5

TABELLA DI SERRAGGIO DADO - n. giri/NUT TIGHTENINGS TABLE - n. turns

A	10	12	15	16	17	18	20	22	25	28	32
N.GIRI/TURNS	1	1	1	1	1	1	1	1	1	1	1

ISTRUZIONI PER IL CORRETTO MONTAGGIO

TAGLIO DEL TUBO

Il taglio del tubo Pe-x deve essere eseguito con appositi strumenti che consentono un taglio senza bave e perfettamente perpendicolare all'asse del tubo.

SBAVATURA E PULITURA DEL TUBO

Sbavare bene il tubo e pulirlo per eliminare eventuali trucioli residui.

MONTAGGIO DEL RACCORDO

Infilare dado e ogiva sul tubo e quest'ultimo sul portagomma del raccordo. Avvitare il dado a mano per quanto consentito, poi in base alla misura del tubo Pe-x chiudere con chiave come da tabella.

INSTRUCTIONS FOR THE CORRECT ASSEMBLING

PIPE CUTTING

Use the suitable instruments which allow a precise cut, perpendicular and without any trimming.

PIPE CLEANING

Clear the pipe carefully in order to remove any remaining trimming.

ASSEMBLING OF THE FITTING

Put the nut and the ring on the pipe, then fit this on the hose end. Tighten the nut by hand as much as is possible then use a spanner following the above table.