



01

TIEMME
ORIGINAL ITALIAN TRADEMARK



**VALVOLE A
SFERA
RUBINETTERIA
IN OTTONE**

**BRASS BALL VALVES
AND BIBCOCKS**

VALVOLE A SFERA "MISTRAL" A PASSAGGIO STANDARD

STANDARD BORE BALL VALVES "MISTRAL"



ART. 2360

Femmina / femmina ISO 228 con
leva alluminio rossa
Female/female ISO 228 with red
aluminium handle

CODICE Code	TIPO Size	PREZZO Price €	CONF. Unit/Box
2360R2804	1/2"	3,50	25/100
2360R2805	3/4"	5,26	15/60
2360R2806	1"	8,44	12/48
2360R2807	1"1/4	13,03	8/32
2360R2808	1"1/2	19,59	4/16
2360R2809	2"	30,62	2/8
2360R2810 *	2"1/2	54,01	1/8
2360R2811 *	3"	94,96	1/4
2360R2812 *	4"	142,79	1/3

* Con leva acciaio rossa
With red steel handle



ART. 2361

Maschio / femmina ISO 228 con
leva alluminio rossa
Male/female ISO 228 with red
aluminium handle

CODICE Code	TIPO Size	PREZZO Price €	CONF. Unit/Box
2361R2804	1/2"	4,11	25/100
2361R2805	3/4"	5,93	15/60
2361R2806	1"	9,61	12/48
2361R2807	1"1/4	15,41	8/32
2361R2808	1"1/2	21,64	4/16
2361R2809	2"	33,84	2/8



ART. 2370

Femmina / femmina ISO 228 con
leva farfalla rossa
Female/female ISO 228 with red T
handle

CODICE Code	TIPO Size	PREZZO Price €	CONF. Unit/Box
2370R2804	1/2"	3,44	25/100
2370R2805	3/4"	5,10	15/60
2370R2806	1"	8,27	12/48
2370R2807	1"1/4	12,86	8/32



ART. 2371

Maschio / femmina ISO 228 con
leva farfalla rossa
Male/female ISO 228 with red T
handle

CODICE Code	TIPO Size	PREZZO Price €	CONF. Unit/Box
2371R2804	1/2"	4,04	25/100
2371R2805	3/4"	5,75	15/60
2371R2806	1"	9,41	12/48
2371R2807	1"1/4	15,26	8/32



ART. 2372

Maschio / maschio ISO 228 con
leva farfalla rossa
Male / male ISO 228 with red T
handle

CODICE Code	TIPO Size	PREZZO Price €	CONF. Unit/Box
2372R2804	1/2"	3,88	25/100
2372R2805	3/4"	5,61	15/60
2372R2806	1"	9,30	12/48
2372R2807	1"1/4	15,15	8/32



ART. 2380

Femmina / femmina con leva
acciaio piatta plastificata
Female/female with red steel flat
handle

CODICE Code	TIPO Size	PREZZO Price €	CONF. Unit/Box
2380R2804	1/2"	3,56	25/100
2380R2805	3/4"	5,40	15/60
2380R2806	1"	8,64	12/48
2380R2807	1"1/4	13,37	8/32
2380R2808	1"1/2	20,07	4/16
2380R2809	2"	31,36	2/8

VALVOLE A SFERA "MISTRAL" A PASSAGGIO STANDARD

STANDARD BORE BALL VALVES "MISTRAL"



ART. 2381

Maschio/femmina con leva acciaio piatta plastificata
Male/female with red steel flat handle

CODICE Code	TIPO Size	PREZZO Price €	CONE Unit/Box
2381R2804	1/2"	4,17	25/100
2381R2805	3/4"	6,06	15/60
2381R2806	1"	9,81	12/48
2381R2807	1"1/4	14,90	8/32
2381R2808	1"1/2	22,13	4/16
2381R2809	2"	34,58	2/8



ART. 2382

Maschio/maschio con leva acciaio piatta plastificata
Male/male with red steel flat handle

CODICE Code	TIPO Size	PREZZO Price €	CONE Unit/Box
2382R2804	1/2"	4,00	25/100
2382R2805	3/4"	5,91	15/60
2382R2806	1"	9,67	12/48
2382R2807	1"1/4	15,66	8/32

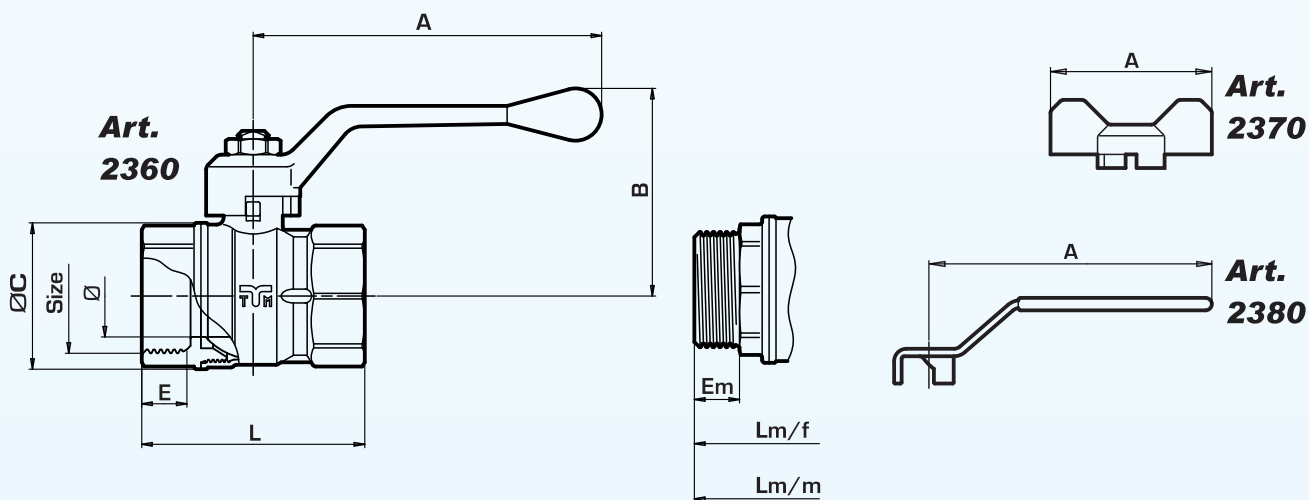


TABELLA DIMENSIONI DIMENSIONS TABLE

Size	1/2"	3/4"	1"	1"1/4	1"1/2	2"	2"1/2	3"	4"
Ø (DN)	14	18	23,5	30	37,5	47	50	63	76
A	85	85	100	100	140	140	140	240	240
A 2370	50	50	65	65	—	—	—	—	—
A 2380	85	85	113	113	141	141	—	—	—
B	48	52,5	59,5	64,5	76	89	86,5	120	130,5
ØC	27,5	33,5	42	53	64	79	90	108	129
E	11	11	14	15	16	17,5	23	23	24,5
L	45	52,5	64	74	85	98	117	131,5	153
Em	10	10	13	14	15	16,5	—	—	—
Lm/f	51,5	57,5	68,5	81	92	107	—	—	—
Lm/m	50	55,5	—	—	—	—	—	—	—
PN	30	30	30	25	25	25	16	16	10

Tutte le dimensioni (ad eccezione del PN) sono espresse in mm
All dimensions (except for PN) are in mm



ART. 2310

Femmina/femmina ISO 228 con
leva alluminio rossa
Female/female ISO 228 with red
aluminium handle

CODICE Code	TIPO Size	PREZZO Price €	CONF. Unit/Box
2310R2802	ISO 7 1/4"	3,76	25/100
2310R2803	ISO 7 3/8"	3,79	25/100
2310R2804	1/2"	4,35	20/80
2310R2805	3/4"	6,12	15/60
2310R2806	1"	9,94	10/40
2310R2807	1"1/4	15,18	4/16
2310R2808	1"1/2	22,71	3/12
2310R2809	2"	35,21	2/8
2310R2810	2" 1/2	82,78	1/4
2310R2811	3"	117,80	1/3
2310R2812	4"	199,38	1/1



ART. 2311

Maschio/femmina ISO 228 con
leva alluminio rossa
Male/female ISO 228 with red
aluminium handle

CODICE Code	TIPO Size	PREZZO Price €	CONF. Unit/Box
2311R2802	1/4"	4,15	25/100
2311R2803	3/8"	4,30	25/100
2311R2804	1/2"	4,70	25/100
2311R2805	3/4"	6,42	10/40
2311R2806	1"	10,96	10/40
2311R2807	1"1/4	17,08	4/16
2311R2808	1"1/2	24,98	3/12
2311R2809	2"	39,10	2/8



ART. 2320

Femmina/femmina ISO 228 con
farfalla rossa
Female/female ISO 228 with red T
handle

CODICE Code	TIPO Size	PREZZO Price €	CONF. Unit/Box
2320R2802	ISO 7 1/4"	3,69	25/100
2320R2803	ISO 7 3/8"	3,76	25/100
2320R2804	1/2"	4,29	25/100
2320R2805	3/4"	6,11	20/80
2320R2806	1"	10,20	10/40



ART. 2321

Maschio/femmina ISO 228 con
farfalla rossa
Male/female ISO 228 with red T
handle

CODICE Code	TIPO Size	PREZZO Price €	CONF. Unit/Box
2321R2802	1/4"	4,10	25/100
2321R2803	3/8"	4,25	25/100
2321R2804	1/2"	4,51	25/100
2321R2805	3/4"	6,59	20/80
2321R2806	1"	11,11	10/40



ART. 2322

Maschio/maschio ISO 228 con
farfalla rossa
Male/male ISO 228 with red T
handle

CODICE Code	TIPO Size	PREZZO Price €	CONF. Unit/Box
2322R2803	3/8"	4,39	25/100
2322R2804	1/2"	4,35	25/100
2322R2805	3/4"	6,45	20/80
2322R2806	1"	11,00	10/40



ART. 2330

Femmina/femmina ISO 228 con
leva acciaio piatta plastificata
rossa
Female/female ISO 228 with red
steel flat handle

CODICE Code	TIPO Size	PREZZO Price €	CONF. Unit/Box
2330R2802	ISO 7 1/4"	3,91	25/100
2330R2803	ISO 7 3/8"	3,84	25/100
2330R2804	1/2"	4,48	25/100
2330R2805	3/4"	6,21	15/60
2330R2806	1"	10,07	10/40
2330R2807	1"1/4	15,33	4/16
2330R2808	1"1/2	22,89	3/12
2330R2809	2"	35,74	2/8
2330R2810	2" 1/2	83,33	1/4
2330R2811	3"	118,45	1/3
2330R2812	4"	200,21	1/1

VALVOLE A SFERA "SCIROCCO" A PASSAGGIO TOTALE

FULL BORE BALL VALVES "SCIROCCO"

ACS



ART. 2331

Maschio/femmina ISO 228 con
leva acciaio piatto plastificata
rossa
Male/female ISO 228 with red steel
flat handle



ART. 2332

Maschio/maschio ISO 228 con
leva acciaio piatto plastificata
rossa
Male/male ISO 228 with red steel
flat handle

CODICE Code	TIPO Size	PREZZO Price €	CONF. Unit/Box
2331R2802	1/4"	4,25	25/100
2331R2803	3/8"	4,39	25/100
2331R2804	1/2"	4,85	25/100
2331R2805	3/4"	6,49	15/60
2331R2806	1"	11,15	10/40
2331R2807	1"1/4	17,26	4/16
2331R2808	1"1/2	25,26	3/12
2331R2809	2"	39,28	2/8

CODICE Code	TIPO Size	PREZZO Price €	CONF. Unit/Box
2332R2803	3/8"	4,50	25/100
2332R2804 *	1/2"	5,18	25/100
2332R2805 *	3/4"	7,27	15/60
2332R2806 *	1"	13,15	10/40
2332R2807 *	1"1/4	15,55	4/16
2332R2808	1"1/2	22,53	3/12
2332R2809	2"	33,07	2/8

*Fino ad esaurimento scorte / until out of stock

ACS - Attestation Conformité Sanitaire
N° 04ACCLY052

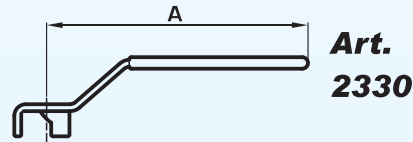
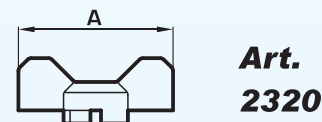
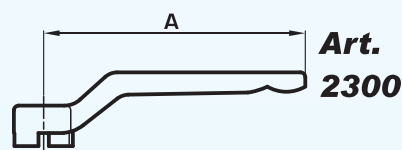
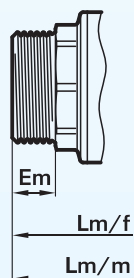
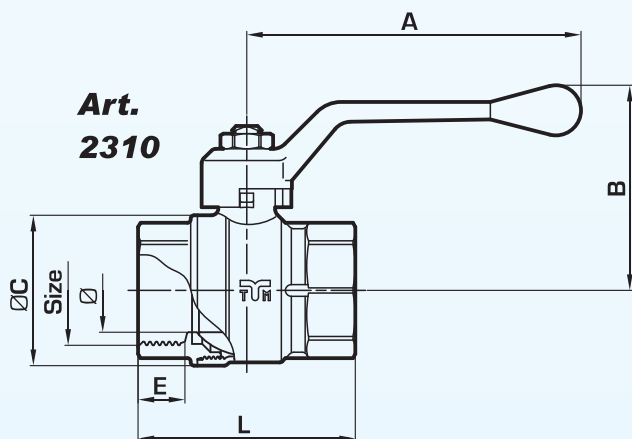


TABELLA DIMENSIONI DIMENSIONS TABLE

Size	1/4"	3/8"	1/2"	3/4"	1"	1"1/4	1"1/2	2"	2"1/2	3"	4"
Ø (DN)	10	10	15	20	25	32	40	50	60	74	94
A	85	85	85	85	100	140	140	140	240	240	240
A 2300	85	85	85	85	110	140	140	140	---	---	---
A 2320	50	50	50	50	65	---	---	---	---	---	---
A 2330	85	85	85	85	113	141	141	141	240	240	240
B	46	46	51,5	54,5	61,5	73	79	91,5	118	128	142
ØC	23	23	30	37	45	55	68	84	103	124	152
E	10	12	13,5	14,5	14	15	16	17,5	21,5	23,5	27
L	42	47	53	60,5	65	77,5	89	103	130	149	178
Em	11	11,5	10	12	13	14	15	16,5	---	---	---
Lm/f	43	57	56,5	64	70	85,5	96,5	114	---	---	---
Lm/m	---	56	53,5	59,5	69	84	96,5	114	---	---	---
PN	30	30	30	30	30	25	25	25	16	16	16

Tutte le dimensioni (ad eccezione del PN) sono espresse in mm
All dimensions (except for PN) are in mm

VALVOLE A SFERA "TORNADO" A PASSAGGIO STANDARD ISO 7 / EN 10226

STANDARD BORE BALL VALVES "TORNADO" ISO 7 / EN 10226



ART. 2360R07
Femmina / femmina
ISO 7 / EN 10226 con leva
alluminio rossa
Female/female ISO 7 / EN 10226
with red aluminium handle

CODICE Code	TIPO Size	PREZZO Price €	CONF. Unit/Box
2360R0704	1/2"	4,20	20/80
2360R0705	3/4"	6,21	10/40
2360R0706	1"	9,70	8/32
2360R0707	1"1/4	14,99	4/16
2360R0708	1"1/2	21,93	3/12
2360R0709	2"	36,13	2/8



ART. 2361R07
Maschio / femmina
ISO 7 / EN 10226 con leva
alluminio rossa
Male/female ISO 7 / EN 10226
with red aluminium handle

CODICE Code	TIPO Size	PREZZO Price €	CONF. Unit/Box
2361R0704	1/2"	4,94	20/80
2361R0705	3/4"	6,99	10/40
2361R0706	1"	11,06	8/32
2361R0707	1"1/4	16,75	4/16
2361R0708	1"1/2	24,24	3/12
2361R0709	2"	39,93	2/8



ART. 2370R07
Femmina / femmina
ISO 7 / EN 10226 con leva farfalla
rossa
Female/female ISO 7 / EN 10226
with red T handle

CODICE Code	TIPO Size	PREZZO Price €	CONF. Unit/Box
2370R0704	1/2"	4,14	25/100
2370R0705	3/4"	6,05	15/60
2370R0706	1"	9,53	8/32
2370R0707	1"1/4	14,82	5/20



ART. 2371R07
Maschio / femmina
ISO 7 / EN 10226 con leva farfalla
rossa
Male/female ISO 7 / EN 10226
with red T handle

CODICE Code	TIPO Size	PREZZO Price €	CONF. Unit/Box
2371R0704	1/2"	4,87	25/100
2371R0705	3/4"	6,81	15/60
2371R0706	1"	10,86	8/32
2371R0707	1"1/4	16,60	5/20



ART. 2380R07
Femmina / femmina
ISO 7 / EN 10226 con leva acciaio
piatta plastificata
Female/female ISO 7/EN 10226
with red steel flat handle

CODICE Code	TIPO Size	PREZZO Price €	CONF. Unit/Box
2380R0704	1/2"	4,26	20/80
2380R0705	3/4"	6,35	10/40
2380R0706	1"	9,90	8/32
2380R0707	1"1/4	15,33	4/16
2380R0708	1"1/2	22,42	3/12
2380R0709	2"	36,88	2/8



ART. 2381R07
Maschio / femmina
ISO 7 / EN 10226 con leva acciaio
piatta plastificata
Male/female ISO 7/EN 10226
with red steel flat handle

CODICE Code	TIPO Size	PREZZO Price €	CONF. Unit/Box
2381R0704	1/2"	5,00	20/80
2381R0705	3/4"	7,13	10/40
2381R0706	1"	11,26	8/32
2381R0707	1"1/4	17,09	4/16
2381R0708	1"1/2	71,78	3/12
2381R0709	2"	40,67	2/8

VALVOLE A SFERA "TORNADO" A PASSAGGIO STANDARD ISO 7/EN 10226
STANDARD BORE BALL VALVES "TORNADO" ISO 7/EN 10226

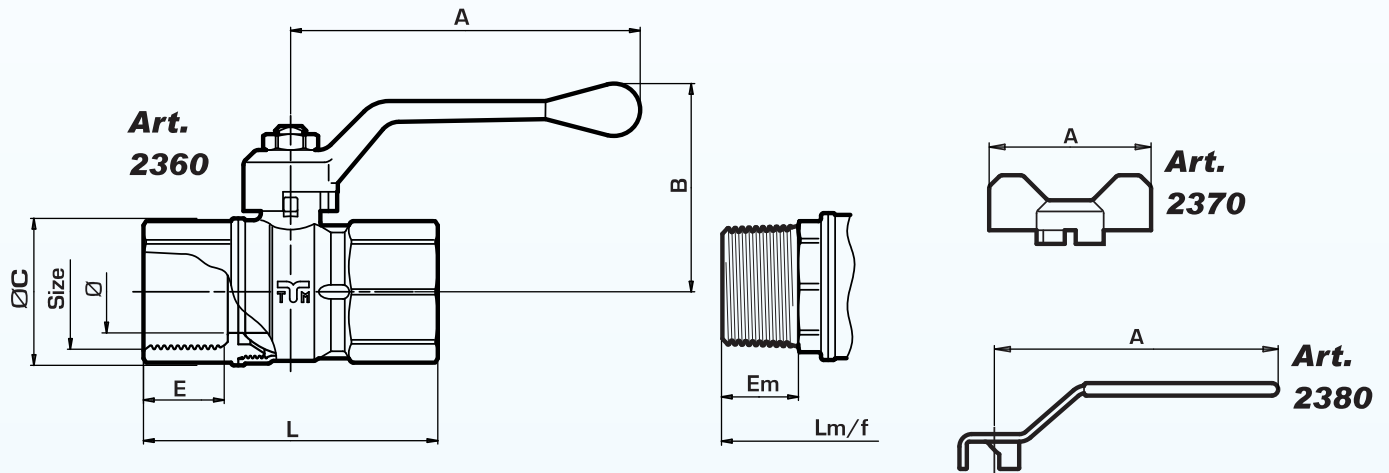


TABELLA DIMENSIONI
DIMENSIONS TABLE

Size	Mod.	1/2"	3/4"	1"	1"1/4	1"1/2	2"
Ø (DN)	tutti/all	14,0	18,0	23,5	30,0	37,5	47,0
A	2360/2361	85,0	85,0	100,0	100,0	140,0	140,0
	2370/2371	50,0	50,0	65,0	65,0	—	—
	2380/2381	85,0	85,0	113,0	113,0	141,0	141,0
B	tutti/all	48,0	52,5	59,5	64,5	76,0	89,0
ØC	tutti/all	27,5	33,5	42,0	53,0	64,0	79,0
E	ISO7	15,0	16,0	18,5	21,0	21,0	25,5
Em	ISO7	14,7	16,2	18,7	21,2	21,2	25,7
L	ISO7	58,0	66,5	78,0	93,0	101,0	121,0
Lm/f	ISO7	63,5	72,0	83,0	99,1	108,0	129,0
PN		30	30	30	25	25	25

Tutte le dimensioni (ad eccezione del PN) sono espresse in mm
 All dimensions (except for PN) are in mm

VALVOLE A SFERA CON ESTREMITÀ A COMPRESSIONE/PRESSARE PER TUBO MULTISTRATO
COMPRESSION/PRESS ENDS BALL VALVES FOR MULTILAYER PIPE



ART. 2143*
 Tubo multistrato/ tubo multistrato con leva alluminio rossa
Ball valve with multilayer pipe connections and red aluminium handle



CODICE Code	TIPO Size	PREZZO Price €	CONF. Unit/Box
2143R162018	16 x 2,0	vedi cap. 13	15/60
2143R182018	18 x 2,0	vedi cap. 13	15/60
2143R202018	20 x 2,0	vedi cap. 13	15/60

*Disponibile con leva acciaio piatta plastificata rossa (art. 2163)
Red flat steel handle available (art. 2163)



ART. 2153
 Tubo multistrato/ tubo multistrato con leva farfalla rossa
Ball valve with multilayer pipe connections and red T handle



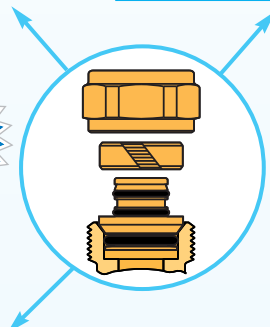
CODICE Code	TIPO Size	PREZZO Price €	CONF. Unit/Box
2153R162018	16 x 2,0	vedi cap. 13	15/60
2153R182018	18 x 2,0	vedi cap. 13	15/60
2153R202018	20 x 2,0	vedi cap. 13	15/60



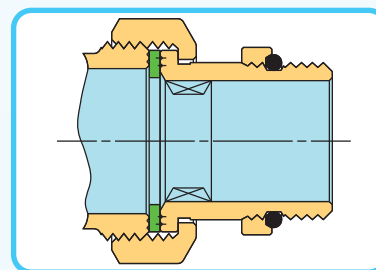
ART. 2181CPR
 Valvola a squadra con pretenuta e GUARNIZIONE PIANA
Angle valve with FLAT WASHER



CODICE Code	TIPO Size	PREZZO Price €	CONF. Unit/Box
con farfalla blu /with blue T handle			
2181B2605CPR	26 x 3/4"	16,71	10/40
2181B2606CPR	26 x 1"	24,96	5/20
2181B3206CPR	32 x 1"	24,58	5/20
con farfalla rossa /with red T handle			
2181R2605CPR	26 x 3/4"	16,71	10/40
2181R2606CPR	26 x 1"	24,96	5/20
2181R3206CPR	32 x 1"	24,58	5/20



PRETENUTA CON GUARNIZIONE PIANA
WITH FLAT WASHER



ART. 1697
 Valvola a sfera dritta con leva farfalla rossa e girello folle
Straight ball valve with red "T" handle and loose nut



CODICE Code	TIPO Size	PREZZO Price €	CONF. Unit/Box
1697R202005	20 x 3/4"	vedi cap. 14	20/80
1697R252505	25 x 3/4"	vedi cap. 14	20/80
1697R263005	26 x 3/4"	vedi cap. 14	20/80
1697R323006	32 x 1"	vedi cap. 14	10/40



ART. 1697CK
 Valvola a sfera dritta con leva farfalla rossa, girello folle e valvola di non ritorno.
Straight ball valve with red "T" handle, loose nut and check valve



CODICE Code	TIPO Size	PREZZO Price €	CONF. Unit/Box
1697R202005CK	20 x 3/4"	vedi cap. 14	20/80
1697R252505CK	25 x 3/4"	vedi cap. 14	20/80
1697R263005CK	26 x 3/4"	vedi cap. 14	20/80
1697R323006CK	32 x 1"	vedi cap. 14	10/40



ART. 1690U
 Valvola a sfera da incasso con geometria a "U"
Built in ball valve "U" shape



CODICE Code	TIPO Size	PREZZO Price €	CONF. Unit/Box
1690C1616U	16 x 16	vedi cap. 14	1/25
1690C2020U	20 x 20	vedi cap. 14	1/25
1690C2525U	25 x 25	vedi cap. 14	1/25
1690C2626U	26 x 26	vedi cap. 14	1/25



ART. 1690
 Valvola a sfera da incasso
Built in ball valve

CODICE Code	TIPO Size	PREZZO Price €	CONF. Unit/Box
1690C1616	16 x 16	vedi cap. 14	5/50
1690C1818	18 x 18	vedi cap. 14	5/50
1690C2020	20 x 20	vedi cap. 14	5/50
1690C2525	25 x 25	vedi cap. 14	5/50
1690C2626	26 x 26	vedi cap. 14	5/50

VALVOLE A SFERA CON ESTREMITÀ A COMPRESSIONE/PRESSARE PER TUBO MULTISTRATO COMPRESSION/PRESS ENDS BALL VALVES FOR MULTILAYER PIPE



ART. 1692
Valvola a sfera a squadra con leva farfalla rossa e girello folle
Angle ball valve with red "T" handle and loose nut



CODICE Code	TIPO Size	PREZZO Price €	CONF. Unit/Box
1692R2005	20 x 3/4"	vedi cap. 14	15/60
1692R2605	26 x 3/4"	vedi cap. 14	15/60
1692R3206	32 x 1"	vedi cap. 14	10/40



ART. 1692CK
Valvola a sfera a squadra con leva farfalla rossa, girello folle e valvola di non ritorno.
Angle ball valve with red "T" handle, loose nut and check valve



CODICE Code	TIPO Size	PREZZO Price €	CONF. Unit/Box
1692R2005CK	20 x 3/4"	vedi cap. 14	15/60
1692R2605CK	26 x 3/4"	vedi cap. 14	15/60
1692R3206CK	32 x 1"	vedi cap. 14	10/40



ART. 1691
Valvola a sfera con leva farfalla
Ball valve with T handle



CODICE Code	TIPO Size	PREZZO Price €	CONF. Unit/Box
1691R1616	16 x 16	vedi cap. 14	5/50
1691R2020	20 x 20	vedi cap. 14	5/50
1691R2626	26 x 26	vedi cap. 14	5/50

VALVOLE A SFERA CON ESTREMITÀ A COMPRESSIONE PER TUBO RAME COMPRESSION ENDS BALL VALVES FOR COPPER PIPE



ART. 2142
Tubo rame/tubo rame con leva alluminio rossa
Ball valve with copper pipe connections and red aluminium handle

CODICE Code	TIPO Size	PREZZO Price €	CONF. Unit/Box
2142R0015	15	7,75	15/60
2142R0018	18	11,01	15/60
2142R0022	22	10,21	10/40
2142R0028	28	14,41	7/28



ART. 2152
Tubo rame/tubo rame con leva farfalla rossa
Ball valve with copper pipe connections and red T handle

CODICE Code	TIPO Size	PREZZO Price €	CONF. Unit/Box
2152R0015	15	7,75	15/60
2152R0018	18	11,01	15/60
2152R0022	22	10,21	10/40
2152R0028	28	14,41	7/28

VALVOLE A SFERA "URAGANO" A PASSAGGIO TOTALE FULL BORE BALL VALVES "URAGANO"



ART. 2200R
Femmina/femmina ISO 7/EN 10226 con leva acciaio rossa
Female/female ISO 7/EN 10226 with red steel handle

CODICE Code	TIPO Size	PREZZO Price €	CONF. Unit/Box
2200R0702	1/4"	4,32	25/100
2200R0703	3/8"	4,37	25/100
2200R0704	1/2"	5,35	20/80
2200R0705	3/4"	7,18	10/40
2200R0706	1"	10,82	8/32
2200R0707	1"1/4	18,32	4/16
2200R0708	1"1/2	27,97	3/12
2200R0709	2"	39,59	2/8



ART. 2201R
Maschio/femmina ISO 7/EN 10226 con leva acciaio rossa
Male/female ISO 7/EN 10226 with red steel handle

CODICE Code	TIPO Size	PREZZO Price €	CONF. Unit/Box
2201R0704	1/2"	5,62	20/80
2201R0705	3/4"	7,53	10/40
2201R0706	1"	11,36	8/32
2201R0707	1"1/4	19,24	4/16
2201R0708	1"1/2	29,37	3/12
2201R0709	2"	41,57	2/8

VALVOLE A SFERA "URAGANO" A PASSAGGIO TOTALE

FULL BORE BALL VALVES "URAGANO"



ART. 2210R

Femmina / femmina
ISO 7 / EN 10226 con leva
alluminio rossa
Female/female ISO 7/EN 10226
with red aluminium handle

CODICE Code	TIPO Size	PREZZO Price €	CONF. Unit/Box
2310R2802	1/4"	vedi pag. 4	25/100
2310R2803	3/8"	vedi pag. 4	25/100
2210R0704	1/2"	5,35	15/60
2210R0705	3/4"	7,18	10/40
2210R0706	1"	10,82	8/32
2210R0707	1"1/4	18,32	4/16
2210R0708	1"1/2	27,97	3/12
2210R0709	2"	39,59	2/8
2210R0710	2"1/2	111,70	1/4
2210R0711	3"	163,78	1/3
2210R0712	4"	286,48	1/1



ART. 2210N

Femmina / femmina
ISO 7 / EN 10226 con leva
alluminio nera
Female/female ISO 7/EN 10226
with black aluminium handle

CODICE Code	TIPO Size	PREZZO Price €	CONF. Unit/Box
2210N0704	1/2"	5,35	20/80
2210N0705	3/4"	7,18	10/40
2210N0706	1"	10,82	8/32
2210N0707	1"1/4	18,32	4/16
2210N0708	1"1/2	27,97	3/12
2210N0709	2"	39,59	2/8
2210N0710	2"1/2	111,70	1/4
2210N0711	3"	163,78	1/3
2210N0712	4"	286,48	1/1



ART. 2211R

Maschio / femmina
ISO 7 / EN 10226 con leva
alluminio rossa
Male/female ISO 7/EN 10226
with red aluminium handle

CODICE Code	TIPO Size	PREZZO Price €	CONF. Unit/Box
2211R0704	1/2"	5,62	20/80
2211R0705	3/4"	7,53	10/40
2211R0706	1"	11,36	8/32
2211R0707	1"1/4	19,24	4/16
2211R0708	1"1/2	29,37	3/12
2211R0709	2"	41,57	2/8



ART. 2211N

Maschio / femmina
ISO 7 / EN 10226 con leva
alluminio nera
Male/female ISO 7/EN 10226
with black aluminium handle

CODICE Code	TIPO Size	PREZZO Price €	CONF. Unit/Box
2211N0704	1/2"	5,62	20/80
2211N0705	3/4"	7,53	10/40
2211N0706	1"	11,36	8/32
2211N0707	1"1/4	19,24	4/16
2211N0708	1"1/2	29,37	3/12
2211N0709	2"	41,57	2/8



ART. 2220R

Femmina / femmina
ISO 7 / EN 10226 con farfalla rossa
Female/female ISO 7/EN 10226
with red T handle

CODICE Code	TIPO Size	PREZZO Price €	CONF. Unit/Box
2320R2802	1/4"	vedi pag. 4	25/100
2320R2803	3/8"	vedi pag. 4	25/100
2220R0704	1/2"	5,35	20/80
2220R0705	3/4"	7,18	15/60
2220R0706	1"	10,82	8/32



ART. 2220N

Femmina / femmina
ISO 7 / EN 10226 con farfalla nera
Female/female ISO 7/EN 10226
with black T handle

CODICE Code	TIPO Size	PREZZO Price €	CONF. Unit/Box
2220N0704	1/2"	5,35	25/100
2220N0705	3/4"	7,18	15/60
2220N0706	1"	10,82	8/32



ART. 2221R

Maschio / femmina
ISO 7 / EN 10226 con farfalla rossa
Male/female ISO 7/EN 10226
with red T handle

CODICE Code	TIPO Size	PREZZO Price €	CONF. Unit/Box
2221R0704	1/2"	5,62	20/80
2221R0705	3/4"	7,53	15/60
2221R0706	1"	11,36	8/32



ART. 2221N

Maschio / femmina
ISO 7 / EN 10226 con farfalla nera
Male/female ISO 7/EN 10226
with black T handle

CODICE Code	TIPO Size	PREZZO Price €	CONF. Unit/Box
2221N0704	1/2"	5,62	25/100
2221N0705	3/4"	7,53	15/60
2221N0706	1"	11,36	8/32

VALVOLE A SFERA "URAGANO" A PASSAGGIO TOTALE

FULL BORE BALL VALVES "URAGANO"



ART. 2230

Femmina/femmina
ISO 7/EN 10226 con leva acciaio
piatta plastificata rossa
Female/female ISO 7/EN 10226
with red steel flat handle

CODICE Code	TIPO Size	PREZZO Price €	CONF. Unit/Box
2330R2802	1/4"	vedi pag. 4	25/100
2330R2803	3/8"	vedi pag. 4	25/100
2230R0704	1/2"	5,47	15/60
2230R0705	3/4"	7,34	10/40
2230R0706	1"	11,09	8/32
2230R0707	1"1/4	18,48	4/16
2230R0708	1"1/2	28,61	3/12
2230R0709	2"	36,84	2/8
2230R0710	2"1/2	111,70	1/4
2230R0711	3"	163,78	1/3
2230R0712	4"	286,48	1/1



ART. 2231

Maschio/femmina
ISO 7/EN 10226 con leva acciaio
piatta plastificata rossa
Male/female ISO 7/EN 10226
with red steel flat handle

CODICE Code	TIPO Size	PREZZO Price €	CONF. Unit/Box
2231R0704	1/2"	5,73	20/80
2231R0705	3/4"	7,66	10/40
2231R0706	1"	11,49	8/32
2231R0707	1"1/4	19,77	4/16
2231R0708	1"1/2	29,90	3/12
2231R0709	2"	42,10	2/8



ART. 2240P

Femmina/femmina
ISO 7/EN 10226 piombabile
Female/female ISO 7/EN 10226
sealable ball valve

CODICE Code	TIPO Size	PREZZO Price €	CONF. Unit/Box
2240P0704	1/2"	7,60	25/100
2240P0705	3/4"	9,14	15/60
2240P0706	1"	13,10	8/32
2240P0707	1"1/4	20,96	4/16
2240P0708	1"1/2	31,61	3/12
2240P0709	2"	37,90	2/8



ART. 2241P

Maschio/femmina
ISO 7/EN 10226 piombabile
Male/female ISO 7/EN 10226 sealable
ball valve

CODICE Code	TIPO Size	PREZZO Price €	CONF. Unit/Box
2241P0704	1/2"	7,86	25/100
2241P0705	3/4"	9,46	15/60
2241P0706	1"	13,50	8/32
2241P0707	1"1/4	22,25	4/16
2241P0708	1"1/2	32,90	3/12
2241P0709	2"	43,16	2/8

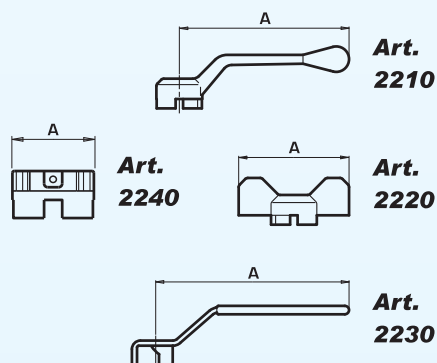
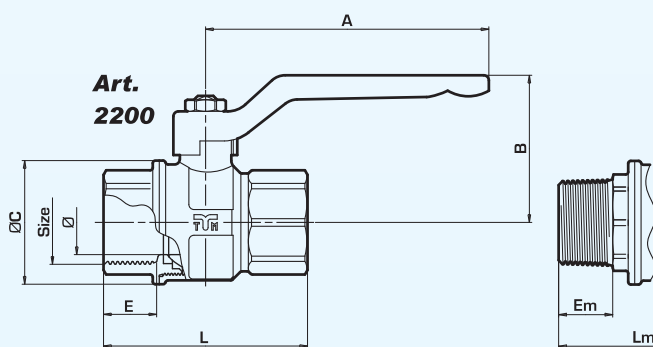


TABELLA DIMENSIONI DIMENSIONS TABLE

Size	1/4"	3/8"	1/2"	3/4"	1"	1"1/4	1"1/2	2"	2"1/2	3"	4"
Ø (DN)	10	10	15	20	25	32	40	50	65	80	100
A 2200	85	85	85	110	110	140	140	140	---	---	---
A 2210	85	85	85	100	100	140	140	160	---	---	---
A 2220	50	50	50	65	65	---	---	---	---	---	---
A 2230	85	85	85	113	113	141	141	141	240	240	240
A 2240	---	---	22	27	27	32	32	32	---	---	---
B	39	39	44,5	53,5	57,5	73,5	79,5	92	125,5	136	150,5
ØC	23	23	32,5	39	48	59	71	86	114	131	164
E	10	12	16,5	18	20,6	23,5	23,5	28	34	37	43
L	42	47	59,5	67,5	79	96	105	126	156	177	214
Em	---	---	16,5	18	21	23,5	23,5	28	---	---	---
Lm	---	---	67,5	75,5	87	106	114	136,5	---	---	---
PN	30	30	30	30	30	25	25	25	20	20	20

Tutte le dimensioni (ad eccezione del PN) sono espresse in mm / All dimensions (except for PN) are in mm

VALVOLE A SFERA "TIFONE" A PASSAGGIO TOTALE

FULL BORE BALL VALVES "TIFONE"



ART. 2610

Femmina/femmina
ISO 7/EN 10226 con leva
alluminio nera
Female/female ISO 7/EN 10226
with black aluminium handle

CODICE Code	TIPO Size	PREZZO Price €	CONF. Unit/Box
2610N0704	1/2"	6,29	15/60
2610N0705	3/4"	10,05	10/40
2610N0706	1"	14,55	7/28
2610N0707	1"1/4	23,02	4/16
2610N0708	1"1/2	32,68	2/8
2610N0709	2"	48,26	2/8

ART. 2630 Leva piatta in acciaio plastificata nera Black steel flat handle

2630N0710	2"1/2	133,66	1/4
2630N0711	3"	193,32	1/3
2630N0712	4"	373,54	1/1



ART. 2611

Maschio/femmina
ISO 7/EN 10226 con leva
alluminio nera
Male/female ISO 7/EN 10226
with black aluminium handle

CODICE Code	TIPO Size	PREZZO Price €	CONF. Unit/Box
2611N0704	1/2"	6,45	15/60
2611N0705	3/4"	10,31	10/40
2611N0706	1"	14,70	7/28
2611N0707	1"1/4	23,46	4/16
2611N0708	1"1/2	34,35	2/8
2611N0709	2"	50,75	2/8



ART. 2620

Femmina/femmina
ISO 7/EN 10226 con leva farfalla
nera
Female/female ISO 7/EN 10226 with
black T handle

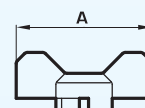
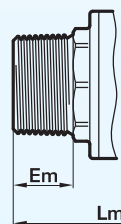
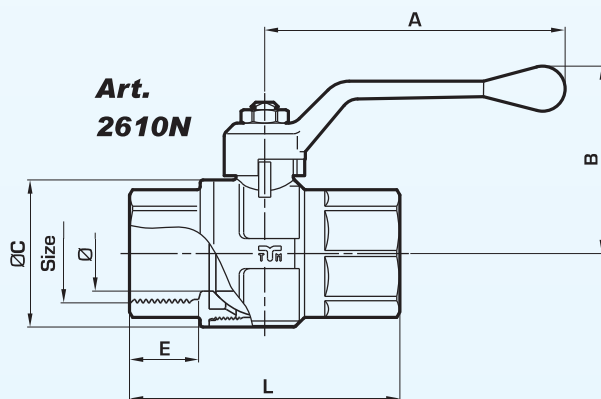
CODICE Code	TIPO Size	PREZZO Price €	CONF. Unit/Box
2620N0704	1/2"	6,10	15/60
2620N0705	3/4"	9,86	10/40
2620N0706	1"	14,25	7/28



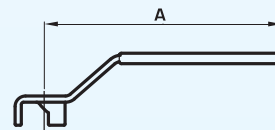
ART. 2621

Maschio/femmina
ISO 7/EN 10226 con leva farfalla
nera
Male/female ISO 7/EN 10226 with
black T handle

CODICE Code	TIPO Size	PREZZO Price €	CONF. Unit/Box
2621N0704	1/2"	6,33	15/60
2621N0705	3/4"	10,19	10/40
2621N0706	1"	14,48	7/28



Art.
2620N



Art.
2630N

TABELLA DIMENSIONI DIMENSIONS TABLE

Size	1/2"	3/4"	1"	1"1/4	1"1/2	2"	2"1/2	3"	4"
Ø (DN)	15	20	25	32	40	50	65	80	100
A 2610N	85	100	100	140	140	160	—	—	—
A 2620N	50	65	65	—	—	—	—	—	—
A 2630N	—	—	—	—	—	—	240	240	240
B	52	58,5	62,5	73,5	85	101	125,5	136	150,5
ØC	32	40	49	59	71	85,5	114	131	164
E	22,5	21	23	29,5	29,5	33,5	34	37	43
L	75	80	90	110,5	120	140	156	177	214
Em	15,5	18	20	22	22	26	—	—	—
Lm	77	84	92	110,5	121	141	—	—	—
PN	50	40	40	30	30	25	20	20	20

Tutte le dimensioni (ad eccezione del PN) sono espresse in mm
All dimensions (except for PN) are in mm

VALVOLE A SFERA PER COLLETTORI A PASSAGGIO TOTALE

FULL BORE BALL VALVES FOR MANIFOLDS



ART. 2121

Maschio/femmina ISO 228 con leva farfalla rossa per collettori e **O-RING**

Male/female ball valve ISO 228 with red T handle and **O-RING** for manifold connection

CODICE Code	TIPO Size	PREZZO Price €	CONF. Unit/Box
2121R2804	1/2"	6,07	20/80
2121R2805	3/4"	8,85	10/40
2121R2806	1"	13,73	7/28
2121R2807	1"1/4	21,15	6/24

Disponibile anche con leva blu / also available with blue handle



ART. 2121CP

Maschio/femmina ISO 228 con leva farfalla rossa per collettori e **GUARNIZIONE PIANA**

Male/female ball valve ISO 228 with red T handle and **FLAT WASHER** for manifold connection

CODICE Code	TIPO Size	PREZZO Price €	CONF. Unit/Box
2121R2804CP	1/2"	6,07	20/80
2121R2805CP	3/4"	8,85	10/40
2121R2806CP	1"	13,73	9/36
2121R2807CP	1"1/4	21,15	6/24

Disponibile anche con leva blu / also available with blue handle



ART. 2180

Maschio/femmina a squadra ISO 228 con leva farfalla rossa per collettori e **O-RING**

Male/female angle valve ISO 228 with red T handle and **O-RING** for manifold connection

CODICE Code	TIPO Size	PREZZO Price €	CONF. Unit/Box
2180R2804	1/2"	8,41	15/60
2180R2805	3/4"	11,50	10/40
2180R2806	1"	19,15	5/20

Disponibile anche con leva blu / also available with blue handle



ART. 2180CP

Maschio/femmina a squadra ISO 228 con leva farfalla rossa per collettori e **GUARNIZIONE PIANA**

Male/female angle valve ISO 228 with red T handle and **FLAT WASHER** for manifold connection

CODICE Code	TIPO Size	PREZZO Price €	CONF. Unit/Box
2180R2804CP	1/2"	8,41	15/60
2180R2805CP	3/4"	11,50	10/40
2180R2806CP	1"	19,15	5/20

Disponibile anche con leva blu / also available with blue handle



ART. 2121R

Valvola diritta con pretenuta con **O-RING**

Straight valve with **O-RING**

CODICE Code	TIPO Size	PREZZO Price €	CONF. Unit/Box
con farfalla blu / with blue T handle			
2121B2805R	3/4"	10,01	10/40
2121B2806R	1"	14,72	9/36
2121B2807R	1"1/4	22,45	6/24
con farfalla rossa / with red T handle			
2121R2805R	3/4"	10,01	10/40
2121R2806R	1"	14,72	9/36
2121R2807R	1"1/4	22,45	6/24

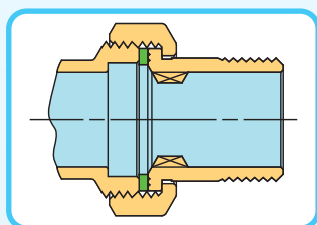


ART. 2180R

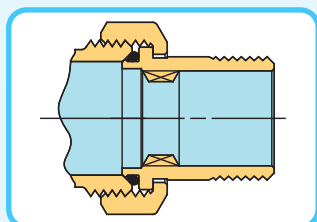
Valvola a squadra con pretenuta e **O-RING**

Angle valve with **O-RING**

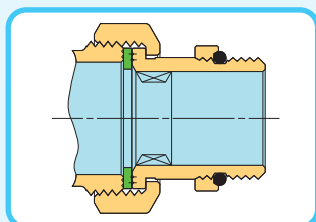
CODICE Code	TIPO Size	PREZZO Price €	CONF. Unit/Box
con farfalla blu / with blue T handle			
2180B2805R	3/4"	12,66	10/40
2180B2806R	1"	20,14	6/24
con farfalla rossa / with red T handle			
2180R2805R	3/4"	12,66	10/40
2180R2806R	1"	20,14	6/24



"CP": TENUTA CON GUARNIZIONE PIANA WITH FLAT WASHER



TENUTA CON O-RING WITH O-RING



"CPR": PRETENUTA CON GUARNIZIONE PIANA WITH FLAT WASHER



ART. 2180CPR

Valvola a squadra con pretenuta e **GUARNIZIONE PIANA**

Angle valve and **FLAT WASHER**

CODICE Code	TIPO Size	PREZZO Price €	CONF. Unit/Box
con farfalla blu / with blue T handle			
2180B2805CPR	3/4"	12,66	10/40
2180B2806CPR	1"	20,14	6/24
con farfalla rossa / with red T handle			
2180R2805CPR	3/4"	12,66	10/40
2180R2806CPR	1"	20,14	6/24

VALVOLE A SFERA MOTORIZZATE

MOTORIZED BALL VALVES



NEW

ART. 2134 *

Valvola a sfera deviatrice motorizzata a 3 vie - attacchi a 3 bocchettoni
3-ways diverter motorized ball valve with - 3 unions connections

CODICE Code	TIPO Size	ALIMENT. Power	PREZZO Price €	CONF. Unit/Box
2134N05	3/4"	230 Vac	vedi cap. 20	1/4
2134N06	1"	230 Vac	vedi cap. 20	1/4



ART. 9537

Servomotore per valvola deviatrice (articolo 2134); rotazione monodirezionale con angolo di 180° fornito con fusibile di protezione. Custodia con grado di protezione IP44
Servomotor for diverter valve (art. 2134); directional rotation 180° supplied with protection fuse. Case with protection degree IP44

CODICE Code	TENSIONE Voltage	TEMPO Control time	PREZZO Price €	CONF. Unit/Box
9537R0506IM	230 V	80 sec	vedi cap. 20	1/8
9537R050624VIM	24 V	80 sec	vedi cap. 20	1/8



NEW

ART. 2136 *

Valvola a sfera motorizzata a 3 vie con by-pass - attacchi a 4 bocchettoni, interasse variabile (50-63 mm per valvola 3/4"; 55-63 mm per valvola 1")
3-ways motorized ball valve with by-pass - 4 unions connections, variable distance between centers (50-63 mm for 3/4" valves; 55-63 mm for 1" valves)

CODICE Code	TIPO Size	ALIMENT. Power	PREZZO Price €	CONF. Unit/Box
2136N05	3/4"	230 Vac	vedi cap. 20	1/4
2136N06	1"	230 Vac	vedi cap. 20	1/4



ART. 9536

Servomotore per valvole di zona con by-pass (articolo 2136-2137); rotazione bidirezionale con angolo di 90° fornito con fusibile di protezione. Custodia con grado di protezione IP44.
Servomotor for by-pass valve (art. 2136-2137); bidirectional rotation 90° supplied with protection fuse. Case with protection degree IP44

CODICE Code	TENSIONE Voltage	TEMPO Control time	PREZZO Price €	CONF. Unit/Box
9536R050607IM	230 V	40 sec	vedi cap. 20	1/8
9536R56724VIM	24 V	40 sec	vedi cap. 20	1/8



NEW

ART. 2137 *

Valvola a sfera motorizzata a 3 vie con by-pass - attacchi a 3 bocchettoni
3-ways motorized ball valve with by-pass - 3 unions connections

CODICE Code	TIPO Size	ALIMENT. Power	PREZZO Price €	CONF. Unit/Box
2137N05	3/4"	230 Vac	vedi cap. 20	1/4
2137N06	1"	230 Vac	vedi cap. 20	1/4



NEW

ART. 2138 *

Valvola a sfera motorizzata a 2 vie - attacchi maschio/femmina
2-ways motorized ball valve - male/female connection

CODICE Code	TIPO Size	ALIMENT. Power	PREZZO Price €	CONF. Unit/Box
2138N0704	1/2"	230 Vac	vedi cap. 20	1/14
2138N0705	3/4"	230 Vac	vedi cap. 20	1/14
2138N0706	1"	230 Vac	vedi cap. 20	1/14
2138N0707	1"1/4	230 Vac	vedi cap. 20	1/14



ART. 9535

Servomotore per valvole di zona 2 vie (articolo 2138 - 2133); rotazione monodirezionale con angolo di 90° fornito con fusibile di protezione. Custodia con grado di protezione IP44
Servomotor for 2-ways valve (art. 2138 - 2133); directional rotation 90° supplied with protection fuse. Case with protection degree IP44

CODICE Code	TENSIONE Voltage	TEMPO Control time	PREZZO Price €	CONF. Unit/Box
9535R050607IM	230 V	40 sec	vedi cap. 20	1/8
9535R56724VIM	24 V	40 sec	vedi cap. 20	1/8



NEW

ART. 2133 *

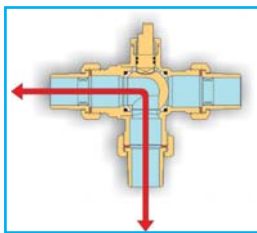
Valvola a sfera motorizzata a 2 vie - attacchi maschio/maschio
2-ways motorized ball valve - male/male connection

CODICE Code	TIPO Size	ALIMENT. Power	PREZZO Price €	CONF. Unit/Box
2133N05	3/4"	230 Vac	vedi cap. 20	1/14
2133N06	1"	230 Vac	vedi cap. 20	1/14

* Disponibile anche con alimentazione 24Vac / Available also with 24Vac power supply

SCHEMA DI FUNZIONAMENTO

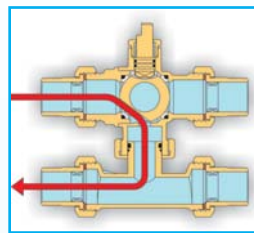
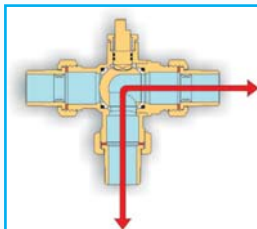
FUNCTION SCHEME



ART. 2134

CARATTERISTICHE TECNICHE Technical features

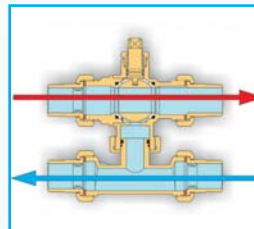
Alimentazione / Power supply
230 V o 24 V
Contatto relé / Relay contact
6A 250 Vac
Grado di protezione /
Protection degree class IP 44
Coppia max di rotazione /
Max rotation 8 Nm
Tempo di rotazione / Control time
80 sec.
Fusibile / Fuse
5x20 F350 mA.



ART. 2136

CARATTERISTICHE TECNICHE Technical features

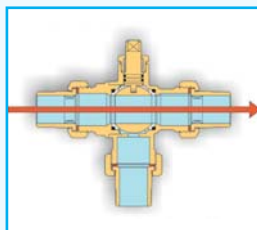
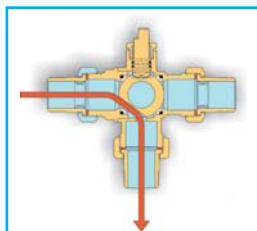
Alimentazione / Power supply
230 V o 24 V
Contatto relé / Relay contact
6A 250 Vac
Grado di protezione /
Protection degree class IP 44
Coppia max di rotazione /
Max rotation 8 Nm
Tempo di rotazione / Control time
40 sec.
Fusibile / Fuse
5x20 F350 mA.



ART. 2137

CARATTERISTICHE TECNICHE Technical features

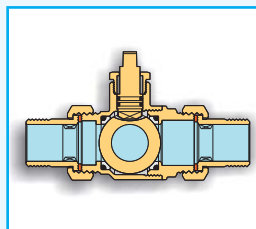
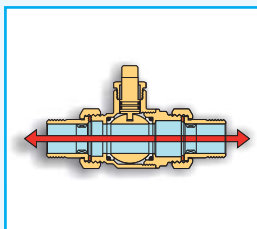
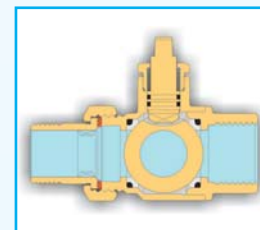
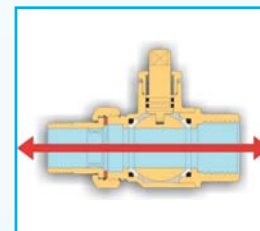
Alimentazione / Power supply
230 V o 24 V
Contatto relé / Relay contact
6A 250 Vac
Grado di protezione /
Protection degree class IP 44
Coppia max di rotazione /
Max rotation 8 Nm
Tempo di rotazione / Control time
40 sec.
Fusibile / Fuse
5x20 F350 mA.



ART. 2138

CARATTERISTICHE TECNICHE Technical features

Alimentazione / Power supply
230 V o 24 V
Contatto relé / Relay contact
6A 250 Vac
Grado di protezione /
Protection degree class IP 44
Coppia max di rotazione /
Max rotation 8 Nm
Tempo di rotazione / Control time
40 sec.
Fusibile / Fuse
5x20 F350 mA.

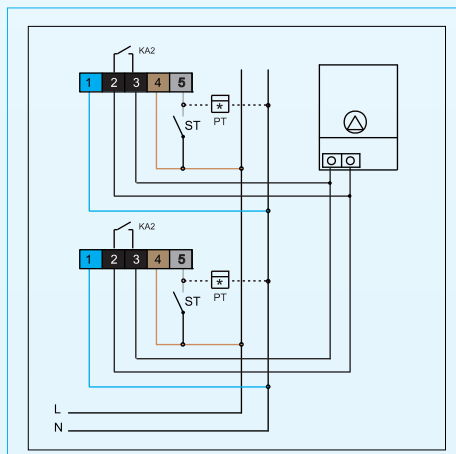


ART. 2133

CARATTERISTICHE TECNICHE Technical features

Alimentazione / Power supply
230 V o 24 V
Contatto relé / Relay contact
6A 250 Vac
Grado di protezione / Protection degree class IP 44
Coppia max di rotazione / Max rotation 8 Nm
Tempo di rotazione / Control time
80 sec.
Fusibile / Fuse
5x20 F350 mA.

SCHEMA ELETTRICO DEL SERVOMOTORE / SERVOMOTOR'S ELECTRICAL DIAGRAM



- 1** - BLU / BLUE - NEUTRO, NEUTRAL
- 2** - NERO / BLACK - MICROINTERRUTTORE, MICROSWITCH
- 3** - NERO / BLACK - MICROINTERRUTTORE, MICROSWITCH
- 4** - MARRONE / BROWN - FASE, PHASE
- 5** - GRIGIO / GREY - TERMOSTATO AMBIENTE, ROOM THERMOSTAT

VALVOLE A SFERA PER COLLETTORI A PASSAGGIO TOTALE

FULL BORE BALL VALVES FOR MANIFOLDS



ART. 2182
Valvola a squadra ISO 228 con tenuta con O-RING
Angle valve ISO 228 and O-RING

NEW

CODICE Code	TIPO Size	PREZZO Price €	CONF. Unit/Box
con farfalla blu / with blue T handle			
2182B2804	1/2"	7,74	15/60
2182B2805	3/4"	10,70	10/40
2182B2806	1"	18,00	5/20
con farfalla rossa / with red T handle			
2182R2804	1/2"	7,74	15/60
2182R2805	3/4"	10,70	10/40
2182R2806	1"	18,00	5/20



ART. 2182R
Valvola a squadra ISO 228 con pretenuta e tenuta con O-RING
Angle valve ISO 228 with O-RING

NEW

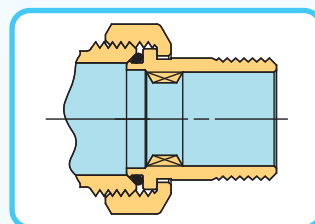
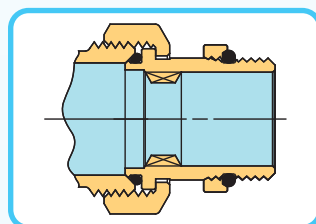
CODICE Code	TIPO Size	PREZZO Price €	CONF. Unit/Box
con farfalla blu / with blue T handle			
2182B2805R	3/4"	11,77	10/40
2182B2806R	1"	18,93	5/20
con farfalla rossa / with red T handle			
2182R2805R	3/4"	11,77	10/40
2182R2806R	1"	18,93	5/20



ART. 2183R
Valvola a squadra ISO 228 con pretenuta, tenuta con O-RING e termometro con attacco reversibile
Angle valve ISO 228 with O-RING and thermometer with reversible connection

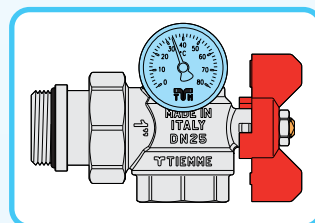
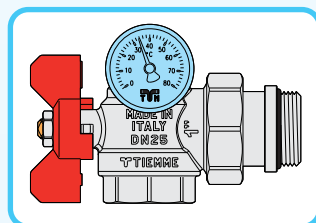
NEW

CODICE Code	TIPO Size	PREZZO Price €	CONF. Unit/Box
con farfalla blu / with blue T handle			
2183B2806R	1"	vedi cap. 20	5/20
con farfalla rossa / with red T handle			
2183R2806R	1"	vedi cap. 20	5/20



TENUTA CON O-RING
WITH O-RING

art. 2183R



ATTACCO TERMOMETRO REVERSIBILE
THERMOMETER WITH REVERSIBLE CONNECTION



ART. 2227
Maschio / femmina ISO 7 / EN 10226 con leva farfalla rossa per collettori
Male/female ISO 7/EN 10226 with red T handle for manifold

CODICE Code	TIPO Size	PREZZO Price €	CONF. Unit/Box
2227R0704	1/2"	8,27	15/60
2227R0705	3/4"	11,60	10/40
2227R0706	1"	18,69	6/24

Disponibile anche con leva blu / also available with blu handle



ART. 2985
Valvola a sfera a passaggio totale con attacco per sonda temperatura
Full bore valve with probe connection

CODICE Code	TIPO Size	PREZZO Price €	CONF. Unit/Box
2985R2804	1/2"	8,98	25/100
2985R2805	3/4"	12,53	15/60
2985R2806	1"	18,88	10/40



ART. 2980
DRAIN valvola a sfera con spurgo
DRAIN ball valve with drain

CODICE Code	TIPO Size	PREZZO Price €	CONF. Unit/Box
2980R2804	1/2"	8,83	15/60
2980R2805	3/4"	11,01	10/40
2980R2806	1"	15,90	8/32
2980R2807	1"1/4	24,34	4/16
2980R2808	1"1/2	35,52	3/12
2980R2809	2"	55,01	2/8

RUBINETTI A SFERA "EOLO"

BALL BIBCOCK "EOLO"



ART. 2500

Rubinetto con leva acciaio rossa e portagomma
Bibcock with red steel handle and hose connection

CODICE Code	TIPO Size	PREZZO Price €	CONF. Unit/Box
2500R2804	1/2"	5,26	12/48
2500R2805	3/4"	6,89	7/28
2500R2806	1"	14,40	4/16



ART. 2510

Rubinetto con leva alluminio rossa e portagomma
Bibcock with red aluminium handle and hose connection

CODICE Code	TIPO Size	PREZZO Price €	CONF. Unit/Box
2510R2803	3/8"	6,33	12/48
2510R2804LX	1/2"	5,26	12/48
2510R2805LX	3/4"	6,89	7/28
2510R2806LX	1"	14,40	4/16



ART. 2520

Rubinetto con farfalla rossa e portagomma
Bibcock with red T handle and hose connection

CODICE Code	TIPO Size	PREZZO Price €	CONF. Unit/Box
2520R2804	1/2"	5,20	12/48
2520R2805	3/4"	6,81	7/28
2520R2806	1"	14,55	4/16



ART. 2530

Rubinetto con leva acciaio piatta plastificata rossa e portagomma
Bibcock with red plasticized steel flat handle and hose connection

CODICE Code	TIPO Size	PREZZO Price €	CONF. Unit/Box
2530R2804	1/2"	5,98	12/48
2530R2805	3/4"	7,69	7/28
2530R2806	1"	15,12	4/16



ART. 2560

Rubinetto con leva alluminio rossa
Bibcock with red aluminium handle

CODICE Code	TIPO Size	PREZZO Price €	CONF. Unit/Box
2560R2804	1/2"	4,56	12/48



ART. 2570

Rubinetto con leva farfalla rossa
Bibcock with red T handle

CODICE Code	TIPO Size	PREZZO Price €	CONF. Unit/Box
2570R2804	1/2"	4,50	12/48



ART. 2584

Rubinetto lucchettabile
Lockable bibcock

CODICE Code	TIPO Size	PREZZO Price €	CONF. Unit/Box
2584R2804	1/2"	8,11	12/48



ART. 2590

Rubinetto lucchettabile
Lockable bibcock

CODICE Code	TIPO Size	PREZZO Price €	CONF. Unit/Box
2590R2804	1/2"	6,31	12/48

RUBINETTI CON VITONE

BIBCOCK WITH STOP COCK



ART. 2585G

Rubinetto con portagomma serie pesante
Bibcock heavy model with hose connection

CODICE Code	TIPO Size	PREZZO Price €	CONF. Unit/Box
2585G2804	1/2"	11,24	12/48
2585G2805	3/4"	17,31	8/32
2585G2806	1"	31,74	4/16



ART. 2586G

Rubinetto curvo serie pesante
Bibcock heavy model

CODICE Code	TIPO Size	PREZZO Price €	CONF. Unit/Box
2586G2804	1/2"	10,59	10/40
2586G2805	3/4"	15,46	10/40
2586G2806	1"	23,55	5/20



ART. 2585C

Rubinetto serie pesante sabbato e cromato con portagomma
Bibcock heavy model sandblasted and chrome-plated with hose connection

CODICE Code	TIPO Size	PREZZO Price €	CONF. Unit/Box
2585C2804	1/2"	11,24	12/48
2585C2805	3/4"	17,31	8/32
2585C2806	1"	31,74	4/16



ART. 2586C

Rubinetto curvo serie pesante sabbato e cromato
Bibcock heavy model sandblasted and chrome-plated

CODICE Code	TIPO Size	PREZZO Price €	CONF. Unit/Box
2586C2804	1/2"	10,59	10/40
2586C2805	3/4"	15,46	10/40
2586C2806	1"	23,55	5/20



ART. 2587G

Rubinetto con vitone
Bibcock with stop cock and hose connection

CODICE Code	TIPO Size	PREZZO Price €	CONF. Unit/Box
2587G2804	1/2"	9,35	12/48
2587G2805	3/4"	11,91	8/32

VALVOLE A SFERA PER ACQUA

BALL VALVES FOR WATER



ART. 2263

Valvola diritta femmina ISO 228 con giello
Female straight valve
ISO 228 with loose nut/water meter connection

CODICE Code	TIPO Size	PREZZO Price €	CONF. Unit/Box
2263R0404	1/2" x 1/2"	6,37	20/80
2263R0505	3/4" x 3/4"	8,31	20/80
2263R0606	1" x 1"	10,91	10/40



ART. 2263CK

Valvola diritta femmina ISO 228 con giello e non ritorno
Female straight valve ISO 228 with check valve and loose nut/water meter connection

CODICE Code	TIPO Size	PREZZO Price €	CONF. Unit/Box
2263R0404CK	1/2" x 1/2"	7,96	20/80
2263R0505CK	3/4" x 3/4"	9,90	20/80
2263R0606CK	1" x 1"	12,50	10/40



ART. 3730B

Valvola con attacchi tubo rame
Valves with copper pipe connections

CODICE Code	TIPO Size	PREZZO Price €	CONF. Unit/Box
3730B2828 *	28 x 28	22,52	7/63



ART. 3734B

Valvola con attacchi femmina/femmina
ISO 7/EN 10226
Female/Female ISO 7/EN 10226 valves

CODICE Code	TIPO Size	PREZZO Price €	CONF. Unit/Box
3734B0705 *	3/4" x 3/4"	10,95	10/30

* Fino ad esaurimento scorte / until out of stock

VALVOLE A SFERA "TORNADO" PER GAS A PASSAGGIO STANDARD - EN 331

STANDARD BORE BALL VALVES "TORNADO" FOR GAS - EN 331



ART. 2370G07

Femmina / femmina
ISO 7 / EN 10226 con leva farfalla
gialla
Female/female ISO 7 / EN 10226
with yellow T handle

CODICE Code	TIPO Size	PREZZO Price €	CONF. Unit/Box
2370G0704	1/2"	4,27	25/100
2370G0705	3/4"	6,23	15/60
2370G0706	1"	9,81	8/32
2370G0707	1"1/4	15,04	5/20



ART. 2371G07

Maschio / femmina
ISO 7 / EN 10226 con leva farfalla
gialla
Male/female ISO 7 / EN 10226
with yellow T handle

CODICE Code	TIPO Size	PREZZO Price €	CONF. Unit/Box
2371G0704	1/2"	5,01	25/100
2371G0705	3/4"	7,01	15/60
2371G0706	1"	11,18	8/32
2371G0707	1"1/4	16,85	5/20



ART. 2380G07

Femmina / femmina
ISO 7 / EN 10226 con leva acciaio
piatta plastificata gialla
Female/female ISO 7/EN 10226
with yellow steel flat handle

CODICE Code	TIPO Size	PREZZO Price €	CONF. Unit/Box
2380G0704	1/2"	4,39	20/80
2380G0705	3/4"	6,54	10/40
2380G0706	1"	10,20	8/32
2380G0707	1"1/4	15,56	4/16
2380G0708	1"1/2	22,76	3/12
2380G0709	2"	37,43	2/8



ART. 2381G07

Maschio / femmina
ISO 7 / EN 10226 con leva acciaio
piatta plastificata gialla
Male/female ISO 7/EN 10226
with yellow steel flat handle

CODICE Code	TIPO Size	PREZZO Price €	CONF. Unit/Box
2381G0704	1/2"	5,15	20/80
2381G0705	3/4"	7,34	10/40
2381G0706	1"	11,60	8/32
2381G0707	1"1/4	17,34	4/16
2381G0708	1"1/2	25,10	3/12
2381G0709	2"	41,28	2/8

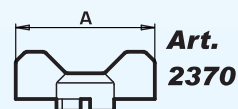
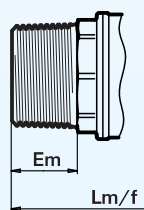
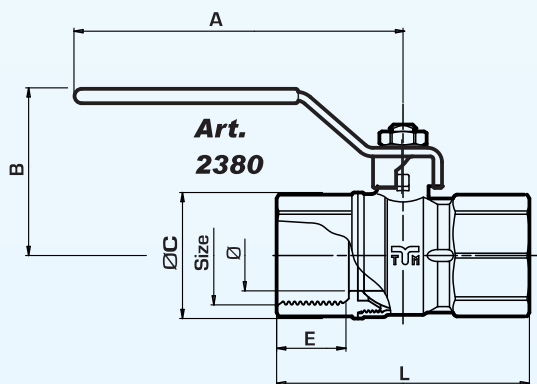


TABELLA DIMENSIONI DIMENSIONS TABLE

	TIPO	1/2"	3/4"	1"	1"1/4	1"1/2	2"
Ø (DN)	Tutti/all	14,0	18,0	23,5	30,0	37,5	47,0
A	2370/2371	50,0	50,0	65,0	65,0	—	—
	2380/2381	85,0	85,0	113,0	113,0	141,0	141,0
B	Tutti/all	48,0	52,5	59,5	64,5	76,0	89,0
ØC	Tutti/all	27,5	33,5	42,0	53,0	64,0	79,0
E	ISO7	15,0	16,0	18,5	21,0	21,0	25,5
Em	ISO7	14,7	16,2	18,7	21,2	21,2	25,7
L	ISO7	58,0	66,5	78,0	93,0	101,0	121,0
Lm/f	ISO7	63,5	72,0	83,0	99,1	108,0	129,0
PN		30	30	30	25	25	25

Tutte le dimensioni (ad eccezione del PN) sono espresse in mm
All dimensions (except for PN) are in mm



ART. 2200G
 Femmina/femmina
 ISO 7/EN 10226 con leva acciaio
 plastificata gialla
 Female/female ISO 7/EN 10226
 with yellow steel handle

CODICE Code	TIPO Size	PREZZO Price €	CONF. Unit/Box
2200G0702	1/4"	4,86	25/100
2200G0703	3/8"	4,86	25/100
2200G0704	1/2"	5,36	20/80
2200G0705	3/4"	7,24	10/40
2200G0706	1"	10,59	8/32
2200G0707	1"1/4	18,39	4/16
2200G0708	1"1/2	27,05	3/12
2200G0709	2"	39,57	2/8
2230G0710 *	2"1/2	111,70	1/4
2230G0711 *	3"	163,78	1/3
2230G0712 *	4"	286,48	1/1

* Con leva piatta plastificata gialla
 With yellow steel flat handle



ART. 2201G
 Maschio/femmina
 ISO 7/EN 10226 con leva acciaio
 plastificata gialla
 Male/female ISO 7/EN 10226 with
 yellow steel handle

CODICE Code	TIPO Size	PREZZO Price €	CONF. Unit/Box
2201G0704	1/2"	5,50	20/80
2201G0705	3/4"	7,47	10/40
2201G0706	1"	10,88	8/32
2201G0707	1"1/4	18,86	4/16
2201G0708	1"1/2	27,77	3/12
2201G0709	2"	40,57	2/8



ART. 2220G
 Femmina/femmina
 ISO 7/EN 10226 con leva farfalla
 gialla
 Female/female ISO 7/EN 10226 with
 yellow T handle

CODICE Code	TIPO Size	PREZZO Price €	CONF. Unit/Box
2220G0702	1/4"	3,86	25/100
2220G0703	3/8"	3,86	25/100
2220G0704	1/2"	5,36	20/80
2220G0705	3/4"	7,24	15/60
2220G0706	1"	10,59	8/32



ART. 2221G
 Maschio/femmina
 ISO 7/EN 10226 con leva farfalla
 gialla
 Male/female ISO 7/EN 10226 with
 yellow T handle

CODICE Code	TIPO Size	PREZZO Price €	CONF. Unit/Box
2221G0703	3/8"	4,09	25/100
2221G0704	1/2"	5,50	25/100
2221G0705	3/4"	7,47	15/60
2221G0706	1"	10,88	8/32



ART. 2240G
 Femmina/femmina
 ISO 7/EN 10226 con leva
 piombabile in ottone e cappuccio
 giallo in plastica
 Female/female ISO 7/EN 10226
 with sealable brass handle and
 yellow plastic cap

CODICE Code	TIPO Size	PREZZO Price €	CONF. Unit/Box
2240G0704	1/2"	7,19	25/100
2240G0705	3/4"	9,25	15/60
2240G0706	1"	12,74	8/32
2240G0707	1"1/4	20,28	4/16
2240G0708	1"1/2	27,33	3/12
2240G0709	2"	42,88	2/8



ART. 2241G
 Maschio/femmina
 ISO 7/EN 10226 con leva
 piombabile in ottone e cappuccio
 giallo in plastica
 Male/female ISO 7/EN 10226 with
 sealable brass handle and yellow
 plastic cap

CODICE Code	TIPO Size	PREZZO Price €	CONF. Unit/Box
2241G0704	1/2"	7,34	25/100
2241G0705	3/4"	9,45	15/60
2241G0706	1"	13,39	8/32
2241G0707	1"1/4	19,02	4/16
2241G0708	1"1/2	28,53	3/12
2241G0709	2"	42,07	2/8

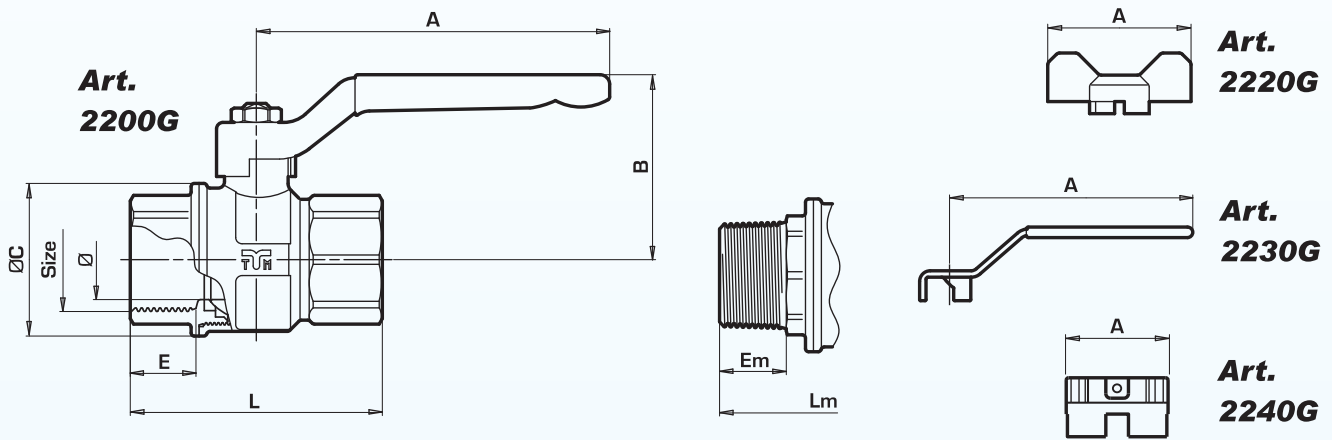


TABELLA DIMENSIONI
DIMENSIONS TABLE

Size	1/4"	3/8"	1/2"	3/4"	1"	1"1/4"	1"1/2"	2"	2"1/2"	3"	4"
Ø (DN)	10	10	15	20	25	32	40	50	65	80	100
A 2200G	87	87	87	112	112	142	142	172	—	—	—
A 2220G	50	50	50	65	65	—	—	—	—	—	—
A 2230G	—	—	—	—	—	—	—	—	240	240	240
A 2240G	—	—	22	27	27	32	32	32	—	—	—
B	39	39	44,5	53,5	57,5	73,5	79,5	92	125,5	136	150,5
ØC	23	23	32,5	39	48	59	71	86	114	131	164
E	10	12	16,5	18	20,6	23,5	23,5	28	34	37	43
L	42	47	59,5	67,5	79	96	105	126	156	177	214
Em	—	11,5	16,5	18	21	23,5	23,5	28	—	—	—
Lm	—	57	67,5	75,5	87	106	114	136,5	—	—	—
PN	30	30	30	30	30	25	25	25	20	20	20

Tutte le dimensioni (ad eccezione del PN) sono espresse in mm
 All dimensions (except for PN) are in mm



ART. 2600G
 Femmina/femmina
 ISO 7/EN 10226 con leva acciaio
 plastificata gialla
 Female/female ISO 7/EN 10226
 with yellow steel handle

CODICE Code	TIPO Size	PREZZO Price €	CONF. Unit/Box
2600G0704	1/2"	6,64	15/60
2600G0705	3/4"	10,05	10/40
2600G0706	1"	14,56	7/28
2600G0707	1"1/4	23,01	4/16
2600G0708	1"1/2	32,68	2/8
2600G0709	2"	49,79	2/8



ART. 2601G
 Maschio/femmina
 ISO 7/EN 10226 con leva acciaio
 plastificata gialla
 Male/female ISO 7/EN 10226 with
 yellow steel handle

CODICE Code	TIPO Size	PREZZO Price €	CONF. Unit/Box
2601G0704	1/2"	6,81	15/60
2601G0705	3/4"	10,30	10/40
2601G0706	1"	14,73	7/28
2601G0707	1"1/4	23,45	4/16
2601G0708	1"1/2	34,35	2/8
2601G0709	2"	52,38	2/8



ART. 2620G
 Femmina/femmina
 ISO 7/EN 10226 con leva farfalla
 gialla
 Female/female ISO 7/EN 10226
 with yellow T handle

CODICE Code	TIPO Size	PREZZO Price €	CONF. Unit/Box
2620G0704	1/2"	6,45	15/60
2620G0705	3/4"	9,84	10/40
2620G0706	1"	14,38	7/28



ART. 2621G
 Maschio/femmina
 ISO 7/EN 10226 con leva farfalla
 gialla
 Male/female ISO 7/EN 10226
 with yellow T handle

CODICE Code	TIPO Size	PREZZO Price €	CONF. Unit/Box
2621G0704	1/2"	6,70	15/60
2621G0705	3/4"	10,19	10/40
2621G0706	1"	14,48	7/28

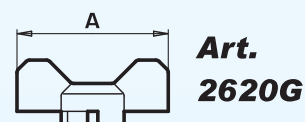
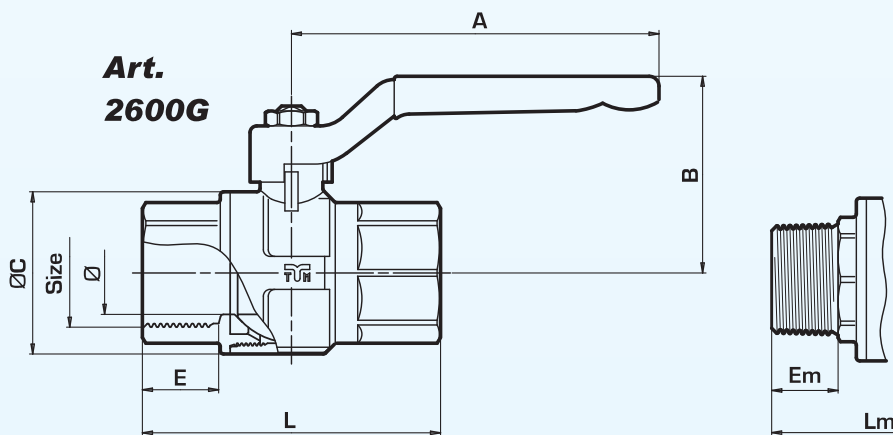


TABELLA DIMENSIONI
 DIMENSIONS TABLE

Size	1/2"	3/4"	1"	1"1/4	1"1/2	2"
Ø (DN)	15	20	25	32	40	50
A 2600G	87	112	112	142	142	172
A 2620G	50	65	65	---	---	---
B	45,5	55,5	59,5	74,5	86,5	93,5
ØC	32	40	49	59	71	85,5
E	22,5	21	23	29,5	29,5	33,5
L	75	80	90	110,5	120	140
Em	15,5	18	20	22	22	26
Lm	77	84	92	110,5	121	141
PN	50	40	40	30	30	25

Tutte le dimensioni (ad eccezione del PN) sono espresse in mm
 All dimensions (except for PN) are in mm

VALVOLE A SFERA PER GAS

BALL VALVES FOR GAS



ART. 2223G

Valvola a squadra
ISO 7/EN 10226 con leva farfalla
gialla
*Angle valve ISO 7/EN 10226
with yellow T handle*

CODICE Code	TIPO Size	PREZZO Price €	CONF. Unit/Box
2223G0704	1/2"	6,13	20/80
2223G0705	3/4"	9,20	10/40



ART. 2224G

Valvola a squadra maschio
ISO 7/EN 10226 per Gas con
girello
*Male angle valve ISO 7/EN 10226
for Gas with loose nut/Gas meter
connection*

CODICE Code	TIPO Size	PREZZO Price €	CONF. Unit/Box
2224G0704	1/2"M x 1/2"F	7,75	20/80
2224G0705	1/2"M x 3/4"F	10,24	20/80
2224G070505	3/4"M x 3/4"F	13,27	10/40



ART. 2250G

Femmina ISO 7/EN 10226 con
leva farfalla gialla
*Female ISO 7/EN 10226 with yellow
T handle and Gas hose connection*

CODICE Code	TIPO Size	PREZZO Price €	CONF. Unit/Box
2250G1304	1/2" x 13	9,53	20/80



ART. 2251G

Maschio ISO 7/EN 10226 con
leva farfalla gialla
*Male ISO 7/EN 10226 with yellow
T handle Gas hose connection*

CODICE Code	TIPO Size	PREZZO Price €	CONF. Unit/Box
2251G1304	1/2" x 13	9,57	20/80



ART. 2252G

Femmina ISO 7/EN 10226 con
leva farfalla gialla
*Female ISO 7/EN 10226 with yellow
T handle and Gas hose connection*

CODICE Code	TIPO Size	PREZZO Price €	CONF. Unit/Box
2252G1304	1/2" x 13	10,99	20/80



ART. 2253G

Maschio ISO 7/EN 10226 con
leva farfalla gialla
*Male ISO 7/EN 10226 with yellow
T handle and Gas hose connection*

CODICE Code	TIPO Size	PREZZO Price €	CONF. Unit/Box
2253G1304	1/2" x 13	11,19	20/80



ART. 2260G

Valvola diritta femmina
ISO 7/EN 10226 per Gas con
girello
*Female straight valve
ISO 7/EN 10226 for Gas with loose
nut/Gas meter connection*

CODICE Code	TIPO Size	PREZZO Price €	CONF. Unit/Box
2260G0404	1/2"	10,26	20/80



ART. 2261G

Valvola diritta maschio
ISO 7/EN 10226 per Gas con
girello
*Male straight valve ISO 7/EN 10226
for Gas with loose nut/Gas meter
connection*

CODICE Code	TIPO Size	PREZZO Price €	CONF. Unit/Box
2261G0404	1/2"	7,55	20/80

VALVOLE A SFERA PER GAS

BALL VALVES FOR GAS



ART. 2262G
Valvola a squadra femmina
ISO 7/EN 10226 per Gas con
girello
*Female angle valve ISO 7/EN 10226
for Gas with loose nut/Gas meter
connection*

CODICE Code	TIPO Size	PREZZO Price €	CONE. Unit/Box
2262G0404	1/2"	10,26	20/80



ART. 2263G
Valvola diritta femmina ISO 228
per Gas con girello
*Female straight valve ISO 228 for
Gas with loose nut/Gas meter
connection*

CODICE Code	TIPO Size	PREZZO Price €	CONE. Unit/Box
2263G0404	1/2" x 1/2"	6,70	20/80
2263G0505	3/4" x 3/4"	8,89	20/80
2263G0606	1" x 1"	11,66	10/40



ART. 3700G
Valvola ad incasso per Gas
SICURCASA
Built-in valve for Gas SICURCASA

CODICE Code	TIPO Size	PREZZO Price €	CONE. Unit/Box
3700G1212	12 x 12	59,47	1/4
3700G1414	14 x 14	59,47	1/4
3700G1616	16 x 16	59,47	1/4
3700G1818	18 x 18	59,47	1/4



ART. 3700PROL
Set prolunga SICURCASA
Spindle extension SICURCASA

CODICE Code	TIPO Size	PREZZO Price €	CONE. Unit/Box
3700PROL	L 30 mm	58,82	1/1



ART. 1574
Raccordo a "Y"
femmina/maschio/femmina
"Y" fittings female/male/female

CODICE Code	TIPO Size	PREZZO Price €	CONE. Unit/Box
1574N040404	1/2" x 1/2" x 1/2"	5,90	10/100

MINI VALVOLE PER GAS

MINI VALVES FOR GAS



ART. 3710G

Mini valvola e codolo, attacco tubo rame a compressione
Mini valve and tail piece with compression ends for copper pipe connection

CODICE Code	TIPO Size	PREZZO Price €	CONF. Unit/Box
3710G1515	15 x 15 DN 15	12,85	20/60
3710G2215	22 x 15 DN 15	18,12	15/45
3710G2222	22 x 22 DN 20	21,58	10/30



ART. 3711G

Mini valvola con attacco tubo rame a compressione e codolo maschio
Mini valve with male tail piece and compression end for copper pipe connection

CODICE Code	TIPO Size	PREZZO Price €	CONF. Unit/Box
3711G1504	15 x 1/2" M DN 15	10,44	20/60
3711G2204	22 x 1/2" M DN 15	13,65	20/60
3711G2205	22 x 3/4" M DN 20	18,00	10/30



ART. 3712G

Mini valvola con attacco tubo rame a compressione e codolo femmina
Mini valve with female tail piece and compression end for copper pipe connection

CODICE Code	TIPO Size	PREZZO Price €	CONF. Unit/Box
3712G1504	15 x 1/2" F DN 20	16,07	15/45
3712G2204	22 x 1/2" F DN 20	17,93	10/30



ART. 3713G

Mini valvola attacco tubo rame a compressione e codolo a saldare
Mini valve with soldering tail piece and compression end for copper pipe connection

CODICE Code	TIPO Size	PREZZO Price €	CONF. Unit/Box
3713G1515	15 x 15S DN 15	10,67	20/60
3713G2215	22 x 15S DN 15	14,09	20/60
3713G2222	22 x 22S DN 20	18,67	15/45



ART. 3714G

Mini valvola con attacco tubo rame a compressione e maschio
Mini valve male with compression end for copper pipe connection

CODICE Code	TIPO Size	PREZZO Price €	CONF. Unit/Box
3714G1505	15 x 3/4" M DN 15	10,59	30/60
3714G1506	15 x 1" M DN 20	18,03	20/60
3714G2205	22 x 3/4" M DN 15	13,35	25/75
3714G2206	22 x 1" M DN 20	17,84	20/60



ART. 3715G

Mini valvola femmina e codolo con attacco tubo rame a compressione
Mini valve female and tail piece with compression end for copper pipe connection

CODICE Code	TIPO Size	PREZZO Price €	CONF. Unit/Box
3715G0415	1/2" F x 15 DN 15	10,78	20/60
3715G0522	3/4" F x 22 DN 20	14,94	10/30



ART. 3716G

Mini valvola femmina e codolo maschio
Female mini valves and male tail piece

CODICE Code	TIPO Size	PREZZO Price €	CONF. Unit/Box
3716G0404	1/2" F x 1/2" M DN 15	9,69	20/60
3716G0505	3/4" F x 3/4" M DN 20	12,86	10/30



ART. 3717G

Mini valvola femmina/maschio
Female/male mini valve

CODICE Code	TIPO Size	PREZZO Price €	CONF. Unit/Box
3717G0405	1/2" F x 3/4" M DN 15	8,70	20/60
3717G0506	3/4" F x 1" M DN 20	11,40	10/30



ART. 3718G

Mini valvola femmina e codolo con attacco tubo rame a saldare
Mini valve female with soldering tail piece for copper pipe connection

CODICE Code	TIPO Size	PREZZO Price €	CONF. Unit/Box
3718G0415	1/2" F x 15S DN 15	12,25	20/60
3718G0522	3/4" F x 22S DN 20	17,54	15/45

RESISTENTI ALLA DEZINCIFICAZIONE/DEZINCIFICATION RESISTANT



ART. 2030CZ

Valvola a sfera femmina/femmina ISO 228 con leva piatta plastificata rossa
Ball valve female/female ISO 228 with red flat handle

CODICE Code	TIPO Size	PREZZO Price €	CONF. Unit/Box
2030R2803CZ	3/8"	vedi cap. 4	25/100
2030R2804CZ	1/2"	vedi cap. 4	20/80
2030R2805CZ	3/4"	vedi cap. 4	10/40
2030R2806CZ	1"	vedi cap. 4	10/40
2030R2807CZ	1 1/4"	vedi cap. 4	4/16
2030R2808CZ	1 1/2"	vedi cap. 4	3/12
2030R2809CZ	2"	vedi cap. 4	2/8



ART. 2132CZ

Valvola a sfera tubo rame/tubo rame con leva piatta plastificata rossa
Ball valve compression ends with red flat handle

CODICE Code	TIPO Size	PREZZO Price €	CONF. Unit/Box
2132R0012CZ	12	vedi cap. 4	25/100
2132R0015CZ	15	vedi cap. 4	15/60
2132R0018CZ	18	vedi cap. 4	10/40
2132R0022CZ	22	vedi cap. 4	10/40
2132R0028CZ	28	vedi cap. 4	7/28



ART. 2030XLCZ

Valvola a sfera femmina/femmina ISO 228 con leva piatta plastificata rossa e prolunga
Ball valve female/female ISO 228 with red flat handle and spindle extension

CODICE Code	TIPO Size	PREZZO Price €	CONF. Unit/Box
2030R2804XLCZ	1/2"	vedi cap. 4	10/40
2030R2805XLCZ	3/4"	vedi cap. 4	8/32
2030R2806XLCZ	1"	vedi cap. 4	5/20



ART. 2132XLCZ

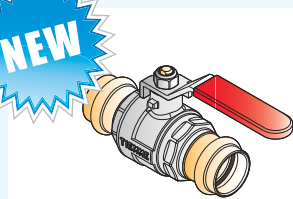
Valvola a sfera tubo rame/tubo rame con leva piatta plastificata rossa e prolunga
Ball valve compression ends with red flat handle and spindle extension

CODICE Code	TIPO Size	PREZZO Price €	CONF. Unit/Box
2132R0015XLCZ	15	vedi cap. 4	10/40
2132R0022XLCZ	22	vedi cap. 4	8/32
2132R0028XLCZ	28	vedi cap. 4	5/20

VALVOLE CON ESTREMITA' A PRESSARE IN CW 602N PER TUBO RAME

CW 602N VALVES WITH PRESS END FOR COPPER PIPE

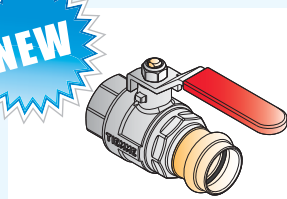
RESISTENTI ALLA DEZINCIFICAZIONE/DEZINCIFICATION RESISTANT



ART. 2135CZ

Tubo rame/tubo rame con leva piatta acciaio plastificata rossa
Press end with red steel flat handle

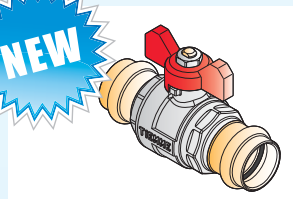
CODICE Code	TIPO Size	PREZZO Price €	CONF. Unit/Box
2135R1515CZ	15	12,75	10/40
2135R2222CZ	22	18,46	7/28
2135R2828CZ	28	26,63	5/20



ART. 2136CZ

Tubo rame/femmina con leva piatta acciaio plastificata rossa
Press end/female with red steel flat handle

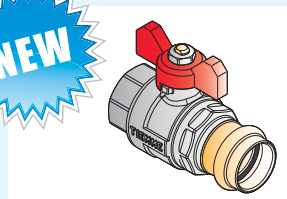
CODICE Code	TIPO Size	PREZZO Price €	CONF. Unit/Box
2136R1504CZ	15 x 1/2"	11,35	10/40
2136R2205CZ	22 x 3/4"	16,14	7/28
2136R2806CZ	28 x 1"	23,15	5/20



ART. 2145CZ

Tubo rame/tubo rame con leva farfalla rossa
Press end with red T handle

CODICE Code	TIPO Size	PREZZO Price €	CONF. Unit/Box
2145R1515CZ	15	12,75	10/40
2145R2222CZ	22	18,46	7/28
2145R2828CZ	28	26,63	5/20



ART. 2146CZ

Tubo rame/femmina con leva farfalla rossa
Press end/female with red T handle

CODICE Code	TIPO Size	PREZZO Price €	CONF. Unit/Box
2146R1504CZ	15 x 1/2"	11,35	10/40
2146R2205CZ	22 x 3/4"	16,14	7/28
2146R2806CZ	28 x 1"	23,15	5/20

RESISTENTI ALLA DEZINCIFICAZIONE/DEZINCIFICATION RESISTANT



ART. 2380CZ

Femmina/femmina
 ISO 7/EN 10226 con leva piatta
 acciaio plastificata rossa
 Female/female ISO 7/EN 10226
 with red steel flat handle

CODICE Code	TIPO Size	PREZZO Price €	CONF. Unit/Box
2380R0704CZ	1/2"	vedi cap. 4	20/80
2380R0705CZ	3/4"	vedi cap. 4	10/40
2380R0706CZ	1"	vedi cap. 4	8/32
2380R0707CZ	1"1/4	vedi cap. 4	4/16
2380R0708CZ	1"1/2	vedi cap. 4	3/12
2380R0709CZ	2"	vedi cap. 4	2/8

VALVOLE A SFERA CON FILTRO

BALL VALVES WITH FILTER



ART. 3675

Femmina/femmina
 ISO 7/EN 10226 con leva piatta
 acciaio plastificata rossa
 Female/female ISO 7/EN 10226
 with red steel flat handle

CODICE Code	TIPO Size	PREZZO Price €	CONF. Unit/Box
3675R0704	1/2"	34,88	7/28
3675R0705	3/4"	36,12	5/20
3675R0706	1"	50,53	4/16



ART. 3676

Femmina/femmina
 ISO 7/EN 10226 con leva farfalla
 rossa
 Female/female ISO 7/EN 10226
 with red T handle

CODICE Code	TIPO Size	PREZZO Price €	CONF. Unit/Box
3676R0704	1/2"	34,73	7/28
3676R0705	3/4"	35,87	5/20
3676R0706	1"	50,23	4/16

RESISTENTI ALLA DEZINCIFICAZIONE/DEZINCIFICATION RESISTANT



ART. 3675CZLOCK

Femmina/femmina
 ISO 7/EN 10226 con filtro e leva
 piatta acciaio lucchettabile plastificata
 rossa
 Female/female ISO 7/EN 10226 with
 filter and red teel flat lockable handle

CODICE Code	TIPO Size	PREZZO Price €	CONF. Unit/Box
3675R0704CZLOCK	1/2"	vedi cap. 4	7/28
3675R0705CZLOCK	3/4"	vedi cap. 4	5/20
3675R0706CZLOCK	1"	vedi cap. 4	4/16

RESISTENTI ALLA DEZINCIFICAZIONE/DEZINCIFICATION RESISTANT



ART. 2900NCZ
Valvola SMALL
femmina / femmina con levetta
nera
*SMALL valve female/female with
black short handle*

CODICE Code	TIPO Size	PREZZO Price €	CONF. Unit/Box
2900N2803CZ	3/8"	4,59	15/225
2900N2804CZ	1/2"	5,45	10/150



ART. 2901NCZ
Valvola SMALL
maschio / femmina con levetta
nera
*SMALL valve male/female with
black short handle*

CODICE Code	TIPO Size	PREZZO Price €	CONF. Unit/Box
2901N2803CZ	3/8"	4,59	15/225
2901N2804CZ	1/2"	5,45	10/150



ART. 2902NCZ
Valvola SMALL
maschio / maschio con levetta
nera
*SMALL valve male/male with black
short handle*

CODICE Code	TIPO Size	PREZZO Price €	CONF. Unit/Box
2902N2803CZ	3/8"	5,23	15/225
2902N2804CZ	1/2"	6,47	10/150



ART. 2910CZ
Valvola curva maschio/
femmina con levetta nera
*Angle mini valves male/female with
black short handle*

CODICE Code	TIPO Size	PREZZO Price €	CONF. Unit/Box
2910N2804CZ	1/2"	7,84	6/90



ART. 2911CZ
Valvola curva tubo
rame / tubo rame con
levetta nera
*Angle mini valve copper/copper
compression ends with black short
handle*

CODICE Code	TIPO Size	PREZZO Price €	CONF. Unit/Box
2911N1212CZ	12 x 12	10,01	5/75
2911N1515CZ	15 x 15	10,01	4/60



ART. 2912CZ
Mini valvola 3 vie con
sfera a T tubo rame / tubo
rame con levetta nera
*Three ways mini valve with
T shape ball with copper/copper
compression ends with black short
handle*

CODICE Code	TIPO Size	PREZZO Price €	CONF. Unit/Box
2912N121212CZ	12 x 12 x 12	12,25	4/60
2912N151515CZ	15 x 15 x 15	12,25	4/60



ART. 2940NCZ
Valvola SMALL tubo
rame / femmina con levetta nera
*SMALL valve copper/female with
black short handle*

CODICE Code	TIPO Size	PREZZO Price €	CONF. Unit/Box
2940N1004CZ	10 x 1/2"	5,93	10/150
2940N1204CZ	12 x 1/2"	5,93	10/150
2940N1504CZ	15 x 1/2"	5,93	9/135



ART. 2942NCZ
Valvola SMALL tubo rame / tubo
rame con levetta nera
*SMALL valve copper/female with
black short handle*

CODICE Code	TIPO Size	PREZZO Price €	CONF. Unit/Box
2942N1010CZ	10 x 10	6,49	10/150
2942N1012CZ	10 x 12	7,00	10/150
2942N1015CZ	10 x 15	7,40	9/135
2942N1212CZ	12 x 12	6,60	10/150
2942N1215CZ	12 x 15	7,40	9/135
2942N1515CZ	15 x 15	7,75	7/105

RESISTENTI ALLA DEZINCIFICAZIONE/DEZINCIFICATION RESISTANT



ART. 2900CZ
Valvola SMALL femmina/femmina con levetta cromata
SMALL valve female/female with chrome-plated short handle

CODICE Code	TIPO Size	PREZZO Price €	CONF. Unit/Box
2900C2803CZ *	3/8"	4,69	15/225



ART. 2902CZ
Valvola SMALL maschio/maschio con levetta cromata
SMALL valve male/male with chrome-plated short handle

CODICE Code	TIPO Size	PREZZO Price €	CONF. Unit/Box
2902C2803CZ *	3/8"	5,33	15/225



ART. 2940CZ
Valvola SMALL tubo rame/femmina con levetta cromata
SMALL valve copper/female with chrome-plated short handle

CODICE Code	TIPO Size	PREZZO Price €	CONF. Unit/Box
2940C1504CZ *	15 x 1/2"	6,05	9/135



ART. 2942CZ
Valvola SMALL tubo rame/tubo rame con levetta cromata
SMALL valve copper/female with chrome-plated short handle

CODICE Code	TIPO Size	PREZZO Price €	CONF. Unit/Box
2942C1012CZ *	10 x 12	7,14	10/150
2942C1015CZ *	10 x 15	7,55	9/135
2942C1215CZ *	12 x 15	7,55	9/135



ART. 2940CZSL
Valvola SMALL tubo rame/femmina senza levetta
SMALL valve copper/female without handle with screwdriver slot

CODICE Code	TIPO Size	PREZZO Price €	CONF. Unit/Box
2940C1004CZSL	10 x 1/2"	6,04	10/150
2940C1204CZSL	12 x 1/2"	6,04	10/150
2940C1504CZSL	15 x 1/2"	6,04	9/135



ART. 2942CZSL
Valvola SMALL tubo rame/tubo rame senza levetta
SMALL valve copper pipe connection without handle with screwdriver slot

CODICE Code	TIPO Size	PREZZO Price €	CONF. Unit/Box
2942C1010CZSL	10 x 10	6,62	10/150
2942C1012CZSL	10 x 12	7,12	10/150
2942C1015CZSL	10 x 15	7,55	9/135
2942C1212CZSL	12 x 12	6,72	10/150
2942C1215CZSL	12 x 15	7,55	9/135
2942C1515CZSL	15 x 15	7,90	7/105

*Fino ad esaurimento scorte/ until out of stock

MINI VALVOLE A SFERA "SMALL"

MINI BALL VALVE "SMALL"



ART. 2900

Femmina/femmina con levetta nera
Female/female with black short handle

CODICE Code	TIPO Size	PREZZO Price €	CONF. Unit/Box
2900N2802	1/4"	3,38	30/180
2900N2803	3/8"	3,38	25/150
2900N2804	1/2"	3,43	20/120



ART. 2901

Maschio/femmina con levetta nera
Male/female with black short handle

CODICE Code	TIPO Size	PREZZO Price €	CONF. Unit/Box
2901N2802	1/4"	3,38	30/180
2901N2803	3/8"	3,38	25/150
2901N2804	1/2"	3,43	20/120



ART. 2902

Maschio/maschio con levetta nera
Male/male with black short handle

CODICE Code	TIPO Size	PREZZO Price €	CONF. Unit/Box
2902N2802	1/4"	3,97	30/180
2902N2803	3/8"	4,23	25/150
2902N2804	1/2"	4,17	20/120



ART. 2930

Femmina/femmina con taglio cacciavite
Female/female with screwdriver slot

CODICE Code	TIPO Size	PREZZO Price €	CONF. Unit/Box
2930R2803	3/8"	3,24	30/180
2930R2804	1/2"	3,83	25/100



ART. 2931

Maschio/femmina con taglio cacciavite
Male/female with screwdriver slot

CODICE Code	TIPO Size	PREZZO Price €	CONF. Unit/Box
2931R2803	3/8"	3,54	25/150
2931R2804	1/2"	4,07	20/120



ART. 2932

Maschio/maschio con taglio cacciavite
Male/male with screwdriver slot

CODICE Code	TIPO Size	PREZZO Price €	CONF. Unit/Box
2932R2803	3/8"	3,80	40/240
2932R2804	1/2"	4,05	25/150



ART. 2940

Tubo rame/femmina con levetta nera
Compression end/female with black short handle

CODICE Code	TIPO Size	PREZZO Price €	CONF. Unit/Box
2940N1004	10 x 1/2"	5,63	20/120
2940N1204	12 x 1/2"	5,86	20/120
2940N1504	15 x 1/2"	5,47	15/90
2940N1604	16 x 1/2"	6,19	15/90



ART. 2942

Tubo rame/tubo rame con levetta nera
Compression ends with black short handle

CODICE Code	TIPO Size	PREZZO Price €	CONF. Unit/Box
2942N1010	10 x 10	5,33	20/120
2942N1212	12 x 12	5,33	20/120
2942N1414	14 x 14	5,33	20/120
2942N1515	15 x 15	5,33	15/90
2942N1616	16 x 16	5,30	15/90

MINI VALVOLE A SFERA "SMALL"

MINI BALL VALVE "SMALL"



ART. 2944

Mini valvola a sfera per tubo multistrato levetta alluminio rossa e blu
Mini ball valve for multilayer pipe with red and blue aluminium short handle

CODICE Code	TIPO Size	PREZZO Price €	CONF. Unit/Box
2944R162004	16 sp 2,0 - 1/2"	5,69	25/100
2944R182004	18 sp 2,0 - 1/2"	5,95	25/100
2944B162004	16 sp 2,0 - 1/2"	5,69	25/100
2944B182004	18 sp 2,0 - 1/2"	5,95	25/100



ART. 2944K

Mini valvola a sfera cromata per tubo multistrato levetta alluminio rossa e blu
Chrome-plated mini ball valve for multilayer pipe with red and blue aluminium short handle

CODICE Code	TIPO Size	PREZZO Price €	CONF. Unit/Box
2944B162004K	16 sp 2,0 - 1/2"	6,25	5/50
2944B182004K	18 sp 2,0 - 1/2"	6,54	5/50
2944R162004K	16 sp 2,0 - 1/2"	6,25	5/50
2944R182004K	18 sp 2,0 - 1/2"	6,54	5/50



ART. 2945

Mini valvola a sfera per tubo rame levetta alluminio rossa e blu
Mini ball valve for copper pipe with red and blue aluminium short handle

CODICE Code	TIPO Size	PREZZO Price €	CONF. Unit/Box
2945R1504	15 - 1/2"	5,47	25/100
2945R1604	16 - 1/2"	5,47	25/100
2945R1804	18 - 1/2"	5,90	25/100
2945B1504	15 - 1/2"	5,47	25/100
2945B1604	16 - 1/2"	5,47	25/100
2945B1804	18 - 1/2"	5,90	25/100



ART. 2945K

Mini valvola a sfera cromata per tubo rame levetta alluminio rossa e blu
Chrome-plated mini ball valve for copper pipe with red and blue aluminium short handle

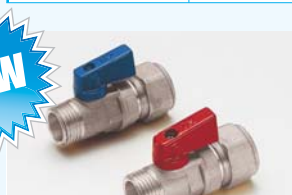
CODICE Code	TIPO Size	PREZZO Price €	CONF. Unit/Box
2945R1504K	15 - 1/2"	5,47	5/50
2945R1604K	16 - 1/2"	5,47	5/50
2945R1804K	18 - 1/2"	5,90	5/50
2945B1504K	15 - 1/2"	5,47	5/50
2945B1604K	16 - 1/2"	5,47	5/50
2945B1804K	18 - 1/2"	5,90	5/50



ART. 2947

Mini valvola a sfera per tubo Pe-x levetta alluminio rossa e blu
Mini ball valve for Pe-x pipe with red and blue aluminium short handle

CODICE Code	TIPO Size	PREZZO Price €	CONF. Unit/Box
2947R152504	15 sp 2,5 - 1/2"	5,35	25/100
2947R162004	16 sp 2,0 - 1/2"	5,26	25/100
2947R162204	16 sp 2,2 - 1/2"	5,26	25/100
2947R182004	18 sp 2,0 - 1/2"	5,26	25/100
2947R182504	18 sp 2,5 - 1/2"	5,35	25/100
2947B152504	15 sp 2,5 - 1/2"	5,35	25/100
2947B162004	16 sp 2,0 - 1/2"	5,26	25/100
2947B162204	16 sp 2,2 - 1/2"	5,26	25/100
2947B182004	18 sp 2,0 - 1/2"	5,26	25/100
2947B182504	18 sp 2,5 - 1/2"	5,35	25/100



ART. 2947K

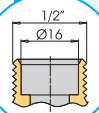
Mini valvola a sfera cromata per tubo Pe-x levetta alluminio rossa e blu
Chrome-plated mini ball valve for Pe-x pipe with red and blue aluminium short handle

CODICE Code	TIPO Size	PREZZO Price €	CONF. Unit/Box
2947B152504K	15 sp 2,5 - 1/2"	5,70	5/50
2947B162004K	16 sp 2,0 - 1/2"	5,70	5/50
2947B182004K	18 sp 2,0 - 1/2"	5,94	5/50
2947B182504K	18 sp 2,5 - 1/2"	5,94	5/50
2947R152504K	15 sp 2,5 - 1/2"	5,70	5/50
2947R162004K	16 sp 2,0 - 1/2"	5,70	5/50
2947R182004K	18 sp 2,0 - 1/2"	5,94	5/50
2947R182504K	18 sp 2,5 - 1/2"	5,94	5/50



ART. 2946

Mini valvola a sfera maschio/femmina levetta rossa e blu
Mini ball valve male/female with red and blue short handle

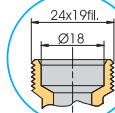


CODICE Code	TIPO Size	PREZZO Price €	CONF. Unit/Box
2946B001604	1/2" (Ø 16) - 1/2"	3,43	25/100
2946B2804	1/2" - 1/2"	3,43	25/100
2946B2804AL	1/2" - 1/2"	3,54	25/100
2946B2804GR	1/2" - 1/2"	3,54	25/100
2946R001604	1/2" (Ø 16) - 1/2"	3,43	25/100
2946R2804	1/2" - 1/2"	3,43	25/100
2946R2804AL	1/2" - 1/2"	3,54	25/100
2946R2804GR	1/2" - 1/2"	3,54	25/100



ART. 2957

Mini valvola a sfera cromata maschio/maschio levetta alluminio rossa e blu
Chrome-plated mini ball valve male/male with red and blue aluminium short handle



CODICE Code	TIPO Size	PREZZO Price €	CONF. Unit/Box
2957B181904	1/2" - 24x19 fil (Ø18)	4,53	5/50
2957R181904	1/2" - 24x19 fil (Ø18)	4,53	5/50

2946	leva in plastica blu e rossa, corpo nichelato blue or red plastic handle, nickel-plated body
2946AL	leva in alluminio blu e rossa, corpo nichelato blue or red aluminium handle, nickel-plated body
2946GR	leva in alluminio blu e rossa - corpo giallo blue or red aluminium handle, yellow body



NEW

VALVOLE A SFERA PER APPLICAZIONI SPECIALI

BALL VALVES FOR SPECIAL PURPOSES



ART. 2948

Sottolavabo con filtro snodo e rosone
Under sink valve with rosette, filter and flexible coupling

CODICE Code	TIPO Size	PREZZO Price €	CONF. Unit/Box
2948C0404	10 x 1/2"	8,39	15/60



ART. 2949

Sottolavabo con filtro e rosone
Under sink valve with filter and rosette

CODICE Code	TIPO Size	PREZZO Price €	CONF. Unit/Box
2949C1004	10 x 1/2"	7,97	15/60



ART. 2956

Valvole speciali sottolavabo con filtro e rosone
Special under sink valve with filter and rosette

CODICE Code	TIPO Size	PREZZO Price €	CONF. Unit/Box
2956C0403	1/2" x 3/8"	6,30	15/60
2956C0404	1/2" x 1/2"	6,62	15/60



ART. 2958

Sottolavabo compatto con filtro e rosone
Compact under sink valve with filter and rosette

CODICE Code	TIPO Size	PREZZO Price €	CONF. Unit/Box
2958C1004	10 x 1/2"	4,94	15/60



ART. 2959

Valvola speciale sottolavabo compatta con filtro e rosone
Compact under sink valve with filter and rosette

CODICE Code	TIPO Size	PREZZO Price €	CONF. Unit/Box
2959C0403	1/2" x 3/8"	4,86	15/60
2959C0404	1/2" x 1/2"	4,94	15/60



ART. 2966

Curvetta sottolavabo 90°
Fixed 90° elbow

CODICE Code	TIPO Size	PREZZO Price €	CONF. Unit/Box
2966C0403	1/2" x 3/8"	4,86	15/60



ART. 2950

WASH rubinetto lavatrice maschio/maschio ISO 228 levetta nichelata
WASH hose-bibcock for washing machine nickel-plated short handle

CODICE Code	TIPO Size	PREZZO Price €	CONF. Unit/Box
2950N0404	1/2" x 1/2"	5,63	40/160
2950N0405	1/2" x 3/4"	5,63	25/100



ART. 2952

Valvola a squadra maschio/maschio ISO 228 levetta nichelata
Angle valve male/male ISO 228 nickel-plated short handle

CODICE Code	TIPO Size	PREZZO Price €	CONF. Unit/Box
2952C0404*	1/2" x 1/2"	6,30	30/90

* Fino ad esaurimento scorte / until out of stock



ART. 2954

Valvola squadra maschio/maschio ISO 228 levetta cromata
Angle valve male/male ISO 228 chromed short handle

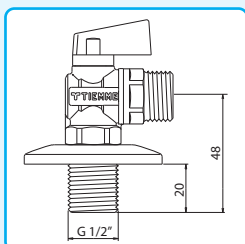
CODICE Code	TIPO Size	PREZZO Price €	CONF. Unit/Box
2954C0404	1/2" x 1/2"	4,62	30/90
2954C0405	1/2" x 3/4"	4,91	30/90



ART. 2953

WASH rubinetto lavatrice maschio/maschio ISO 228 con rosone
WASH hose-bibcock for washing machine with rosette

CODICE Code	TIPO Size	PREZZO Price €	CONF. Unit/Box
2953N0404	1/2" x 1/2"	6,62	15/60
2953N0405	1/2" x 3/4"	5,59	15/60



ART. 3997

Sottolavabo con vitone
Under sink valve with head screw

CODICE Code	TIPO Size	PREZZO Price €	CONF. Unit/Box
3997C0404	1/2"	4,58	20/60

VALVOLE A SFERA PER APPLICAZIONI SPECIALI

BALL VALVES FOR SPECIAL PURPOSES



ART. 3900C

Rubinetto d'arresto (con vitone) cromato, con rosone
Chrome-plated cut-off cock with rosette

CODICE Code	TIPO Size	PREZZO Price €	CONF. Unit/Box
3900C001004	1/2" x 10	5,91	10/50



ART. 3901C

Rubinetto d'arresto (con vitone) cromato, con rosone senza dado
Chrome-plated cut-off cock with rosette without nut

CODICE Code	TIPO Size	PREZZO Price €	CONF. Unit/Box
3901C000304	1/2" x 3/8"	4,29	10/50
3901C000404	1/2" x 1/2"	4,35	10/50



ART. 3902C

Sottolavabo inclinato maschio/tubo rame con filtro, snodo e rosone
Under sink valve with rosette, filter and flexible coupling

CODICE Code	TIPO Size	PREZZO Price €	CONF. Unit/Box
3902C001004	1/2" x 1/2"	9,18	1/50



ART. 3903C

Sottolavabo inclinato maschio/tubo rame con filtro e rosone
Under sink valve with filter and rosette

CODICE Code	TIPO Size	PREZZO Price €	CONF. Unit/Box
3903C000403	1/2" x 3/8"	7,79	1/50
3903C000404	1/2" x 1/2"	7,85	1/50



ART. 3904C

Rubinetto d'arresto (con sfera) cromato, con rosone senza dado
Chrome-plated cut-off cock (with ball), with rosette without nut

CODICE Code	TIPO Size	PREZZO Price €	CONF. Unit/Box
3904C000304	1/2" x 3/8"	4,24	10/50
3904C000404	1/2" x 1/2"	4,29	10/50



ART. 3905C

Curva per doccia maschio/maschio saliscendi
Elbow for shower male/male

CODICE Code	TIPO Size	PREZZO Price €	CONF. Unit/Box
3905C0404	1/2"	5,20	20/60



ART. 2960

INVALL valvola a sfera da incasso senza leva
INVALL built-in ball valve without handle

CODICE Code	TIPO Size	PREZZO Price €	CONF. Unit/Box
2960G2804	1/2"	10,31	15/60
2960G2805	3/4"	13,59	10/40



ART. 2960PR

Set prolunga per valvola ad incasso per art. 2960, 1690C, 1690 CU e 1696
Spindle extension for built-in valve for art. 2960, 1690C, 1690CU and 1696

CODICE Code	TIPO Size	PREZZO Price €	CONF. Unit/Box
2960PR	1/2"	5,75	10/200



ART. 2960SET

Set cappuccio e rosone per valvole ad incasso per art. 2960, 1690C, 1690 CU e 1696
Cap and rosette for built-in valve for art. 2960, 1690C, 1690CU and 1696

CODICE Code	TIPO Size	PREZZO Price €	CONF. Unit/Box
2960CSET		4,72	12/48



ART. 2961SET

Set leva e rosone per valvole ad incasso per art. 2960, 1690C, 1690 CU e 1696
Handle and rosette for built-in valve - for art. 2960 and 1690C, 1690CU and 1696

CODICE Code	TIPO Size	PREZZO Price €	CONF. Unit/Box
2961CSET		5,21	12/48



ART. 3910

Raccordo cromato dritto maschio per collegamenti idro-sanitari
Male chrome-plated fitting for hydro-sanitary connections

CODICE Code	TIPO Size	PREZZO Price €	CONF. Unit/Box
3910C1003	10 x 3/8"	2,05	10/300
3910C1004	10 x 1/2"	2,18	10/250



ART. 2963SET

Set maniglia e rosone per valvole ad incasso per art. 2960, 1690C, 1690 CU e 1696
Handle and rosette for built-in valve - for art. 2960 and 1690C, 1690CU and 1696

CODICE Code	TIPO Size	PREZZO Price €	CONF. Unit/Box
2963CSET		5,63	10/40

● NEW

VALVOLE A SFERA PER APPLICAZIONI SPECIALI

BALL VALVES FOR SPECIAL PURPOSES



ART. 3911

Raccordo cromato diritto doppio per collegamenti idro-sanitari
Double chrome-plated fitting for hydro-sanitary connections

CODICE Code	TIPO Size	PREZZO Price €	CONF. Unit/Box
3911C1010	10 x 10	2,64	10/300



ART. 3912

Raccordo cromato diritto femmina per collegamenti idro-sanitari
Female chrome-plated fitting for hydro-sanitary connections

CODICE Code	TIPO Size	PREZZO Price €	CONF. Unit/Box
3912C1003	10 x 3/8"	2,16	10/350
3912C1004	10 x 1/2"	2,49	10/300



ART. 2961

INWALL valvola a sfera da incasso a saldare
INWALL built-in ball valve with soldering ends

CODICE Code	TIPO Size	PREZZO Price €	CONF. Unit/Box
2961C1515	15	12,80	6/84
2961C1818	18	14,15	5/70
2961C2222	22	16,17	4/56



ART. 2965

Valvola da incasso con vitone
Built-in valve with head screw

CODICE Code	TIPO Size	PREZZO Price €	CONF. Unit/Box
2965G2804	1/2"	12,37	10/30



ART. 2965PROL

Set prolunga per valvola ad incasso per art. 2965
Spindle extension for built-in valve for art. 2965

CODICE Code	TIPO Size	PREZZO Price €	CONF. Unit/Box
2965PROL	15	5,95	1/200



ART. 2970

Valvola pozzetto idrante
Hydrant valve

CODICE Code	TIPO Size	PREZZO Price €	CONF. Unit/Box
2970G2804	1/2"	10,63	12/36
2970G2805	3/4"	13,44	10/30
2970G2806	1"	28,20	5/15



ART. 2990G

BOILER rubinetto a sfera per carico /scarico acqua
BOILER drain ball valve with hose connection

CODICE Code	TIPO Size	PREZZO Price €	CONF. Unit/Box
2990G1503	3/8"	5,44	25/100
2990G1504	1/2"	4,94	25/100
2990G1504LM *	1/2"	5,71	10/50

* Versione con laccio metallico
Metallic belt version



ART. 3995 *

Valvola SARACINESCA PN 10 a passaggio ridotto
Reduced bore Gate valve PN 10

CODICE Code	TIPO Size	PREZZO Price €	CONF. Unit/Box
3995G0004	1/2"	6,45	20/80
3995G0005	3/4"	5,87	10/40
3995G0006	1"	9,96	20/120
3995G0007	1"1/4	15,60	10/80
3995G0008	1"1/2	20,85	10/60
3995G0009	2"	30,36	5/35
3995G0010	2"1/2	38,38	5/20
3995G0011	3"	61,77	1/16
3995G0012	4"	82,16	1/10

* Disponibile a richiesta con PN16 (Art. 3994)
On customer's request, available with PN16 (Art. 3994)



ART. 3996

Valvola a 3 vie
3 ways ball valve

CODICE Code	TIPO Size	PREZZO Price €	CONF. Unit/Box
3996L2803	3/8"	44,87	6/48
3996L2804	1/2"	44,87	5/25
3996L2805	3/4"	57,78	4/36
3996L2806	1"	87,61	4/20
3996L2807	1"1/4	115,38	3/15
3996L2808	1"1/2	199,43	1
3996L2809	2"	306,98	1

La valvola a 3 vie è disponibile anche con sfera a T Art. 3996T
The 3 ways ball valve is also available with T ball Art. 3996T

● NEW

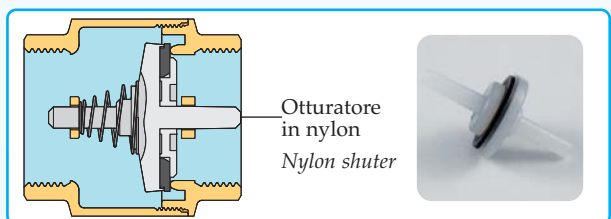
VALVOLE DI RITEGNO E DI FONDO

CHECK AND FOOT VALVES



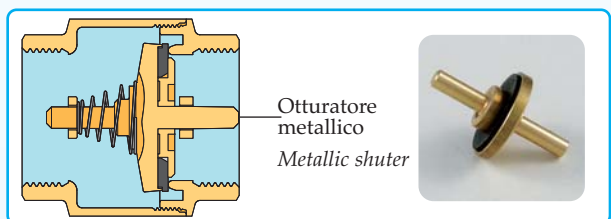
ART. 3500
Valvola di ritegno YACHT femmina / femmina ISO 228 con otturatore in nylon
Female/female ISO 228 check valve YACHT with nylon shutter

CODICE Code	TIPO Size	PREZZO Price €	CONF. Unit/Box
3500G2804	1/2"	3,76	10/80
3500G2805	3/4"	5,13	8/96
3500G2806	1"	6,55	8/72
3500G2807	1"1/4	9,46	6/36
3500G2808	1"1/2	14,25	4/24
3500G2809	2"	19,57	2/24
3500G2810	2"1/2	36,84	1/10
3500G2811	3"	51,96	1/6
3500G2812	4"	90,48	1/4



ART. 3505
Valvola di ritegno YACHT femmina / femmina ISO 228 con otturatore metallico
Female/female ISO 228 check valve YACHT with metallic shutter

CODICE Code	TIPO Size	PREZZO Price €	CONF. Unit/Box
3505G2804	1/2"	6,77	10/80
3505G2805	3/4"	7,76	8/96
3505G2806	1"	9,18	8/72
3505G2807	1"1/4	14,24	6/36
3505G2808	1"1/2	19,54	4/24
3505G2809	2"	29,98	2/24
3505G2810	2"1/2	70,26	1/10
3505G2811	3"	105,62	1/6
3505G2812	4"	175,16	1/4



ART. 3510
Filtro in acciaio inox per valvola di ritegno YACHT
Stainless steel filter for check valve YACHT

CODICE Code	TIPO Size	PREZZO Price €	CONF. Unit/Box
3510G2804	1/2"	1,33	1/50
3510G2805	3/4"	1,53	1/50
3510G2806	1"	1,63	1/25
3510G2807	1"1/4	2,09	1/20
3510G2808	1"1/2	2,44	1/10
3510G2809	2"	3,57	1/5
3510G2810	2"1/2	6,28	1/4
3510G2811	3"	7,77	1/3
3510G2812	4"	10,46	1/2



ART. 3600
Valvola di ritegno YACHT femmina ISO 228 con filtro acciaio inox
Female ISO 228 check valve YACHT with stainless steel filter

CODICE Code	TIPO Size	PREZZO Price €	CONF. Unit/Box
3600G2804	1/2"	4,17	8/80
3600G2805	3/4"	5,05	8/48
3600G2806	1"	5,87	7/63
3600G2807	1"1/4	9,63	6/24
3600G2808	1"1/2	11,37	4/20
3600G2809	2"	17,37	2/16
3600G2810	2"1/2	31,29	1/6
3600G2811	3"	46,80	1/3
3600G2812	4"	69,01	1/2



ART. 3650
Valvola di fondo GLOB femmina ISO 228
Female ISO 228 check valve GLOB

CODICE Code	TIPO Size	PREZZO Price €	CONF. Unit/Box
3650G2805	3/4"	6,18	12/36
3650G2806	1"	7,75	10/30
3650G2807	1"1/4	11,45	6/18
3650G2808	1"1/2	16,88	5/15
3650G2809	2"	24,21	3/9
3650G2810	2"1/2	42,37	1/6
3650G2811	3"	60,92	1/3
3650G2812	4"	105,93	1/2



ART. 3651
Valvola di fondo tubolare femmina ISO 228
Female ISO 228 brass foot tubular valve

CODICE Code	TIPO Size	PREZZO Price €	CONF. Unit/Box
3651G2805	3/4"	10,43	5/25
3651G2806	1"	13,30	4/20
3651G2807	1"1/4	19,87	3/15
3651G2808	1"1/2	24,52	4/12
3651G2809	2"	36,27	2/6
3651G2810	2"1/2	60,79	1/5
3651G2811	3"	88,93	1/3
3651G2812	4"	131,07	1

VALVOLE DI RITEGNO E FILTRI A Y

CHECK VALVES AND Y FILTERS



ART. 3660
Valvola a clapet FULL
femmina / femmina ISO 228
Female/female ISO 228 check valve
FULL

CODICE Code	TIPO Size	PREZZO Price €	CONF. Unit/Box
3660G2804	1/2"	5,49	25/75
3660G2805	3/4"	7,38	15/45
3660G2806	1"	10,67	10/30
3660G2807	1"1/4	15,42	5/20
3660G2808	1"1/2	19,46	5/15
3660G2809	2"	27,79	2/12
3660G2810	2"1/2	56,48	1/5
3660G2811	3"	81,21	1/3
3660G2812	4"	135,07	1/2



ART. 3680
Valvole di ritegno con scarichi
Check valve with drains

CODICE Code	TIPO Size	PREZZO Price €	CONF. Unit/Box
3680G2804	1/2"	6,35	25/75
3680G2805	3/4"	7,57	15/45
3680G2806	1"	13,68	10/30
3680G2807	1"1/4	22,42	6/18



ART. 3670
Filtro raccogliatore
di impurità a Y
Y strainer

Foro solo per misura da 1/2"
For 1/2" hole only

CARATTERISTICHE TECNICHE:

- Grado di filtrazione: da 350 μ a 600 μ in funzione del diametro
- Materiale corpo: ottone CW 617N
- Pressione max di esercizio: 20 bar fino a 2"; 16 bar oltre 2"
- Temperatura max di esercizio: 100°C
- Filettature attacchi: femmina / femmina ISO 228

TECHNICAL CHARACTERISTICS:

- Performance: from 350 μ to 600 μ according to the diameter
- Body: CW 617N brass
- Max operating pressure: 20 bar up to 2"; 16 bar over 2"
- Max operating temperature : 100°C
- Threads: female/female ISO 228

CODICE Code	TIPO Size	PREZZO Price €	CONF. Unit/Box
3670G2804	1/2"	4,09	35/105
3670G2805	3/4"	7,24	18/54
3670G2806	1"	12,29	10/30
3670G2807	1"1/4	17,38	4/16
3670G2808	1"1/2	24,59	3/12
3670G2809	2"	38,10	2/8
3670G2810	2"1/2	80,34	1/8
3670G2811	3"	142,68	1/5
3670G2812	4"	275,62	1/2



ART. 3670CZISO7
Filtro raccogliatore di impurità a
Y
Y strainer

CARATTERISTICHE TECNICHE:

- Grado di filtrazione: da 350 μ a 500 μ in funzione del diametro
- Materiale corpo: ottone CW 602N
- Pressione max di esercizio: 20 bar
- Temperatura max di esercizio: 100°C
- Filettature attacchi: femmina / femmina ISO 7

TECHNICAL CHARACTERISTICS:

- Performance: from 350 μ to 500 μ according to the diameter
- Body: CW 602N brass
- Max operating pressure: 20 bar
- Max operating temperature : 100°C
- Threads: female/female ISO 7

CODICE Code	TIPO Size	PREZZO Price €	CONF. Unit/Box
3670G0704DRZC	1/2"	5,54	25/75
3670G0705DRZC	3/4"	10,67	15/45
3670G0706DRZC	1"	17,16	8/24
3670G0707DRZC	1"1/4	21,56	4/16
3670G0708DRZC	1"1/2	31,76	3/12
3670G0709DRZC	2"	49,37	2/8

RICAMBI PER VALVOLE A SFERA

SPARE PARTS FOR BALL VALVES



ART. 2090G

Leva acciaio plastificata gialla
Yellow steel handle

CODICE Code	TIPO Size	URAGANO	TIFONE	PREZZO Price €	CONF. Unit/Box
2090G0004	1/2"	1/4" - 3/8" - 1/2"	1/2"	0,73	30/240
2090G0005	3/4"	3/4" - 1"	3/4" - 1"	1,02	15/150
2090G0007	1"1/4	1"1/4 - 1"1/2	1"1/4 - 1"1/2	1,48	10/70
2090G0009	2"	2"	2"	1,75	10/50



ART. 2090

Leva acciaio rossa
Red steel handle

CODICE Code	TIPO Size	VALVOLA CZ	URAGANO	SCIROCCO	MISTRAL	EOLO	TIFONE	PREZZO Price €	CONF. Unit/Box
2090R0004	1/2"	3/8"	1/4" - 3/8" - 1/2"	1/4"-3/8"-1/2"-3/4"	1/2" - 3/4"	3/8"-1/2"-3/4"-1"	1/2"	0,73	30/300
2090R0005	3/4"	3/4" - 1"	3/4" - 1"	1"	1" - 1"1/4		3/4" - 1"	1,02	15/150
2090R0007	1"1/4	1"1/4 - 1"1/2 - 2"	1"1/4 - 1"1/2 - 2"	1"1/4 - 1"1/2 - 2"	1"1/2 - 2" - 2"1/2		1"1/4 - 1"1/2	1,48	10/100
2090R0009	2"						2"	1,75	10/50



ART. 2091

Leva alluminio rossa
Red aluminium handle

CODICE Code	TIPO Size	VALVOLA CZ	URAGANO	SCIROCCO	MISTRAL	TORNADO	EOLO	TIFONE	PREZZO Price €	CONF. Unit/Box
2091R0004	1/2"	3/8"-1/2"	1/4" - 3/8" - 1/2"	1/4"-3/8"-1/2"-3/4"	1/2"-3/4"	1/2"-3/4"	3/8"-1/2"-3/4"-1"	1/2"	0,73	30/300
2091R0005	3/4"	3/4"-1"	3/4"-1"	1"	1"-1"1/4	1"-1"1/4		3/4"-1"	0,99	15/150
2091R0007	1"1/4	1"1/4-1"1/2-2"	1"1/4-1"1/2	1"1/4-1"1/2-2"	1"1/2-2"	1"1/2-2"		1"1/4-1"1/2	1,75	10/80
2091R0009	2"		2"					2"	3,44	5/50
2091R0010	2" 1/2		2" 1/2 - 3" - 4"	2" 1/2 - 3" - 4"				2" 1/2 - 3" - 4"	5,24	



ART. 2092

Leva farfalla rossa
Red T handle

CODICE Code	TIPO Size	VALVOLA CZ	URAGANO	SCIROCCO	MISTRAL	TORNADO	EOLO	TIFONE	PREZZO Price €	CONF. Unit/Box
2092R0004	1/2"	3/8"-1/2"	1/2"	1/4"-3/8"-1/2"-3/4"	1/2"-3/4"	1/2"-3/4"	1/2"-3/4"-1"	1/2"	0,54	40/480
2092R0005	3/4"	3/4"-1"	3/4"-1"	1"	1"-1"1/4	1"-1"1/4		3/4"-1"	0,78	20/240



ART. 2092LOCK

Leva farfalla rossa lucchettabile
Lockable red T handle



CODICE Code	TIPO Size	URAGANO	TIFONE	PREZZO Price €	CONF. Unit/Box
2092R04LOCK	1/2"	1/2"	1/2"	0,90	40/480
2092R05LOCK	3/4"	3/4"-1"	3/4"-1"	0,99	20/240

RICAMBI PER VALVOLE A SFERA

SPARE PARTS FOR BALL VALVES



ART. 2093R

Leva piatta plastificata rossa
Red steel flat handle



ART. 2093G

Leva piatta plastificata gialla
Yellow plasticized steel flat handle

CODICE Code	TIPO Size	VALVOLE CZ	URAGANO	SCIROCCO	MISTRAL	TORNADO	EOLO	TIFONE	PREZZO Price €	CONF. Unit/Box
2093R0004	1/2"	3/8" - 1/2"	1/4" - 3/8" - 1/2"	1/4" - 3/8" - 1/2" - 3/4"	1/2" - 3/4"	1/2" - 3/4"	3/8" - 1/2" - 3/4" - 1"	1/2"	0,73	30/300
2093R0005	3/4"	3/4" - 1"	3/4" - 1"	1"	1" - 1"1/4	1" - 1"1/4		3/4" - 1"	1,02	15/150
2093R0007	1"1/4	1"1/4 - 1"1/2 - 2"	1"1/4 - 1"1/2 - 2"	1"1/4 - 1"1/2 - 2"	1"1/2 - 2" - 2"1/2	1"1/2 - 2"		1"1/4 - 1"1/2 - 2"	1,75	10/100
2093R0010	2"1/2		2"1/2 - 3" - 4"	2"1/2 - 3" - 4"				2"1/2 - 3" - 4"	4,99	1/30
2093R0011	3"				3" - 4"				4,99	1/30



ART. 2093LOCK

Leva piatta plastificata rossa
lucchettabile
Red steel flat lockable handle

Disponibili anche in blu o verde
Also available in blue or green



CODICE Code	TIPO Size	VALVOLE CZ	SCIROCCO	MISTRAL	TORNADO	EOLO	PREZZO Price €	CONF. Unit/Box
2093R04LOCK	1/2"	3/8" - 1/2"	3/8" - 1/2" - 3/4"	3/4"	1/2" - 3/4"	3/8" - 1/2" - 3/4" - 1"	2,49	30/300
2093R05LOCK	3/4"	3/4" - 1"	1"	1" - 1"1/4	1" - 1"1/4		2,81	15/150
2093R07LOCK	1"1/4	1"1/4 - 1"1/2 - 2"	1"1/4 - 1"1/2 - 2"	1"1/2 - 2"	1"1/2 - 2"		3,76	10/100



ART. 2094

Prolunga leva per isolamento
Spindle extension for thermal
insulation

CODICE Code	VALVOLE CZ	URAGANO	SCIROCCO	MISTRAL	TORNADO	TIFONE	PREZZO Price €	CONF. Unit/Box
2094N0004	3/8" - 1/2" Ø12 - Ø15 - Ø18 - Ø22	1/4" - 3/8" - 1/2"	1/4" - 3/8" - 1/2" - 3/4"	1/2" - 3/4"	1/2" - 3/4"	1/2"	8,50	40/120
2094N0005	3/4" - 1" 28	3/4" - 1"	1"	1" - 1"1/4	1" - 1"1/4	3/4" - 1"	10,87	30/90
2094N0007	1"1/4 - 1"1/2 - 2"	1"1/4 - 1"1/2 - 2"	1"1/4 - 1"1/2 - 2"	1"1/2 - 2"	1"1/2 - 2"	1"1/4 - 1"1/2 - 2"	11,80	20/60
2094N0010						2"1/2 - 3" - 4"	32,59	5/15



ART. 2595

Portagomma con ghiera e
guarnizione per serie EOLO
Hose-end and joint for ball bibcock
EOLO

CODICE Code	TIPO Size	Ø	PREZZO Price €	CONF. Unit/Box
2595N0004	1/2"	14	0,74	50/300
2595N0005	3/4"	20	1,32	25/150
2595N0006	1"	25	2,88	10/80



ART. 2962

Rosone
Rosette

CODICE Code	TIPO Size	PREZZO Price €	CONF. Unit/Box
2962C04	1/2"	0,45	10



ART. 2096

Set per Art. 2980
Set for Art. 2980

CODICE Code	TIPO Size	PREZZO Price €	CONF. Unit/Box
2096N0002	1/4"	1,70	1/200