



WRAS



kiwa



02



serie 1000 - 1100

**RACCORDI A
COMPRESSIONE
GIALLI E
NICHELATI CON
OGIVA IN OTTONE**
*YELLOW AND NICKEL-
PLATED COMPRESSION
FITTINGS WITH BRASS
RING*

RACCORDI A COMPRESSIONE CON OGIVA IN OTTONE

COMPRESSION FITTINGS WITH BRASS RING



ART. 1000

Filettatura ISO 7/EN 10226
Taper thread ISO 7/EN 10226
Standard GASTEC/KIWA

Raccordo diritto maschio
Straight fitting male

CODICE Code	TIPO Size	PREZZO Price €	CONF. Unit/Box
1000G001002	10 x 1/4"	1,15	10/100
1000G001003	10 x 3/8"	1,15	10/100
1000G001004	10 x 1/2"	1,33	10/100
1000G001202	12 x 1/4"	2,05	10/100
1000G001203	12 x 3/8"	1,21	10/100
1000G001204	12 x 1/2"	1,36	10/100
1000G001503	15 x 3/8"	1,48	10/100
1000G001504	15 x 1/2"	1,41	10/100
1000G001505	15 x 3/4"	2,76	5/100
1000G002204	22 x 1/2"	3,06	5/100
1000G002205	22 x 3/4"	2,47	5/100
1000G002206	22 x 1"	3,94	5/75
1000G002805	28 x 3/4"	4,27	5/75
1000G002806	28 x 1"	4,50	5/50



ART. 1000N

Filettatura ISO 7/EN 10226
Taper thread ISO 7/EN 10226
Standard GASTEC/KIWA

Raccordo diritto maschio
Straight fitting male

CODICE Code	TIPO Size	PREZZO Price €	CONF. Unit/Box
1000N001203	12 x 3/8"	1,23	10/100
1000N001204	12 x 1/2"	1,49	10/100
1000N001503	15 x 3/8"	1,63	10/100
1000N001504	15 x 1/2"	1,56	10/100
1000N001505	15 x 3/4"	3,05	5/100
1000N002204	22 x 1/2"	3,36	5/100
1000N002205	22 x 3/4"	2,76	5/100
1000N002206	22 x 1"	4,33	5/75
1000N002805	28 x 3/4"	4,67	5/75
1000N002806	28 x 1"	4,94	5/50



ART. 1100

Filettatura ISO 228 CILINDRICA
Parallel thread ISO 228

Raccordo diritto maschio
Straight fitting male

CODICE Code	TIPO Size	PREZZO Price €	CONF. Unit/Box
1100G000802	08 x 1/4"	1,21	10/100
1100G000803	08 x 3/8"	1,29	10/100
1100G001004	10 x 1/2"	1,18	10/100
1100G001403	14 x 3/8"	2,13	10/100
1100G001404	14 x 1/2"	1,75	10/100
1100G001502*	15 x 1/4"	2,05	10/100
1100G001504	15 x 1/2"	1,32	10/100
1100G001505	15 x 3/4"	2,46	5/100
1100G001603	16 x 3/8"	2,13	10/100
1100G001604	16 x 1/2"	1,71	10/100
1100G001605	16 x 3/4"	2,27	5/100
1100G001804	18 x 1/2"	1,85	10/100
1100G001805	18 x 3/4"	2,36	5/100
1100G002204	22 x 1/2"	2,76	5/100
1100G002205	22 x 3/4"	2,29	5/100
1100G002206	22 x 1"	3,11	5/75
1100G002806	28 x 1"	3,89	5/75
1100G002807	28 x 1" 1/4	12,62	1/50
1100G003506	35 x 1"	12,62	1/50
1100G003507	35 x 1" 1/4	8,97	1/25
1100G004208	42 x 1" 1/2	13,62	1/25
1100G005409	54 x 2"	20,08	1/10



ART. 1100N

Filettatura ISO 228 CILINDRICA
Parallel thread ISO 228

Raccordo diritto maschio
Straight fitting male

CODICE Code	TIPO Size	PREZZO Price €	CONF. Unit/Box
1100N001504	15 x 1/2"	1,59	10/100
1100N001505	15 x 3/4"	2,72	5/100
1100N001804	18 x 1/2"	2,02	10/100
1100N001805	18 x 3/4"	2,62	5/100
1100N002204	22 x 1/2"	3,05	5/100
1100N002205	22 x 3/4"	2,53	5/100
1100N002806	28 x 1"	4,31	5/75
1100N003507	35 x 1" 1/4	9,87	1/25
1100N004208	42 x 1" 1/2	16,15	1/25
1100N005409	54 x 2"	22,07	1/10



ART. 1100FD

Filettatura ISO 228 CILINDRICA
Parallel thread ISO 228

Raccordo diritto maschio con
battuta piana
Straight fitting male with flat seat

CODICE Code	TIPO Size	PREZZO Price €	CONF. Unit/Box
1100G001504FD	15 x 1/2"	vedi cap. 25	10/100
1100G001505FD	15 x 3/4"	vedi cap. 25	5/100
1100G001604FD	16 x 1/2"	vedi cap. 25	10/100
1100G001804FD	18 x 1/2"	vedi cap. 25	10/100
1100G001805FD	18 x 3/4"	vedi cap. 25	5/100
1100G002205FD	22 x 3/4"	vedi cap. 25	5/100
1100G002206FD	22 x 1"	vedi cap. 25	5/75
1100G002807FD	28 x 1" 1/4	vedi cap. 25	1/50

*Fino ad esaurimento scorte/ until out of stock

RACCORDI A COMPRESSIONE CON OGIVA IN OTTONE

COMPRESSION FITTINGS WITH BRASS RING



ART. 1001
Standard GASTEC/KIWA
Raccordo dritto doppio
Straight fitting double

CODICE Code	TIPO Size	PREZZO Price €	CONF. Unit/Box
1001G101000	10 x 10	1,29	10/100
1001G121200	12 x 12	1,38	10/100
1001G151500	15 x 15	1,71	10/100
1001G222200	22 x 22	2,91	5/75
1001G282800	28 x 28	4,70	5/50
1001G121000	12 x 10	1,35	10/100
1001G151000	15 x 10	1,84	10/100
1001G151200	15 x 12	1,84	10/100
1001G221500	22 x 15	3,39	5/100
1001G281500	28 x 15	6,46	5/75
1001G282200	28 x 22	4,51	5/50



ART. 1001N
Standard GASTEC/KIWA
Raccordo dritto doppio
Straight fitting double

CODICE Code	TIPO Size	PREZZO Price €	CONF. Unit/Box
1001N101000	10 x 10	1,74	10/100
1001N121200	12 x 12	1,53	10/100
1001N151500	15 x 15	1,85	10/100
1001N222200	22 x 22	3,24	5/75
1001N282800	28 x 28	5,19	5/50
1001N121000	12 x 10	1,88	10/100
1001N151000	15 x 10	2,24	10/100
1001N151200	15 x 12	2,01	10/100
1001N221500	22 x 15	3,74	5/100
1001N281500*	28 x 15	7,09	5/75
1001N282200	28 x 22	4,95	5/50



ART. 1101
Raccordo dritto doppio
Straight fitting double

CODICE Code	TIPO Size	PREZZO Price €	CONF. Unit/Box
1101G080800	08 x 08	1,75	10/100
1101G141400	14 x 14	2,55	10/100
1101G161600	16 x 16	2,52	10/100
1101G181800	18 x 18	2,35	10/100
1101G353500	35 x 35	12,00	1/25
1101G424200	42 x 42	19,85	1/25
1101G545400	54 x 54	27,04	1/10
1101G100800	10 x 08	1,75	10/100
1101G150800	15 x 08	2,46	10/100
1101G181200	18 x 12	4,33	10/100
1101G181500	18 x 15	3,88	10/100
1101G221800	22 x 18	3,82	5/100
1101G352800	35 x 28	12,27	1/50
1101G423500*	42 x 35	18,41	1/25



ART. 1101N
Raccordo dritto doppio
Straight fitting double

CODICE Code	TIPO Size	PREZZO Price €	CONF. Unit/Box
1101N181800	18 x 18	2,62	10/100
1101N353500	35 x 35	13,19	1/25
1101N424200	42 x 42	21,84	1/25
1101N545400	54 x 54	29,76	1/10
1101N181500	18 x 15	4,29	10/100
1101N221800	22 x 18	4,18	5/100
1101N352800	35 x 28	13,52	1/50

*Fino ad esaurimento scorte/ until out of stock

RACCORDI A COMPRESSIONE CON OGIVA IN OTTONE

COMPRESSION FITTINGS WITH BRASS RING



ART. 1002

Filettatura ISO 7/EN 10226
Taper thread ISO 7/EN 10226
Standard GASTEC/KIWA

Raccordo diritto femmina
Straight fitting female

CODICE Code	TIPO Size	PREZZO Price €	CONF. Unit/Box
1002G001002	10 x 1/4"	1,51	10/100
1002G001003	10 x 3/8"	1,36	10/100
1002G001004	10 x 1/2"	1,51	10/100
1002G001203	12 x 3/8"	1,73	10/100
1002G001204	12 x 1/2"	1,78	10/100
1002G001503	15 x 3/8"	1,48	10/100
1002G001504	15 x 1/2"	1,69	10/100
1002G001505	15 x 3/4"	2,74	5/100
1002G002204	22 x 1/2"	3,07	5/100
1002G002205	22 x 3/4"	2,36	5/100
1002G002206	22 x 1"	3,54	5/75
1002G002805	28 x 3/4"	5,79	5/50
1002G002806	28 x 1"	4,03	5/50



ART. 1002N

Filettatura ISO 7/EN 10226
Taper thread ISO 7/EN 10226
Standard GASTEC/KIWA

Raccordo diritto femmina
Straight fitting female

CODICE Code	TIPO Size	PREZZO Price €	CONF. Unit/Box
1002N001203	12 x 3/8"	1,86	10/100
1002N001204	12 x 1/2"	1,98	10/100
1002N001503	15 x 3/8"	1,63	10/100
1002N001504	15 x 1/2"	1,87	10/100
1002N001505	15 x 3/4"	3,03	5/100
1002N002204	22 x 1/2"	3,37	5/100
1002N002205	22 x 3/4"	2,67	5/100
1002N002206	22 x 1"	3,89	5/75
1002N002805	28 x 3/4"	6,38	5/50



ART. 1102

Filettatura ISO 228
Parallel thread ISO 228

Raccordo diritto femmina
Straight fitting female

CODICE Code	TIPO Size	PREZZO Price €	CONF. Unit/Box
1102G000802	08 x 1/4"	1,40	10/100
1102G000803	08 x 3/8"	1,49	10/100
1102G001404	14 x 1/2"	2,02	10/100
1102G001405	14 x 3/4"	2,76	5/100
1102G001504	15 x 1/2"	1,44	10/100
1102G001604	16 x 1/2"	1,97	10/100
1102G001605	16 x 3/4"	2,71	5/100
1102G001804	18 x 1/2"	2,28	10/100
1102G001805	18 x 3/4"	2,64	5/100
1102G002206	22 x 1"	3,39	5/75
1102G003507	35 x 1"1/4	9,77	1/50
1102G004208	42 x 1"1/2	13,04	1/25
1102G005409	54 x 2"	23,47	1/10



ART. 1102N

Filettatura ISO 228
Parallel thread ISO 228

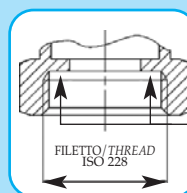
Raccordo diritto femmina
Straight fitting female

CODICE Code	TIPO Size	PREZZO Price €	CONF. Unit/Box
1102N001504	15 x 1/2"	1,60	10/100
1102N001804	18 x 1/2"	2,51	10/100
1102N001805	18 x 3/4"	2,93	5/100
1102N002206	22 x 1"	4,21	5/75
1102N003507	35 x 1"1/4	10,75	1/50
1102N004208	42 x 1"1/2	14,33	1/25
1102N005409	54 x 2"	25,82	1/10



ART. 1102FD

Filettatura ISO 228
Parallel thread ISO 228
Raccordo diritto, dado e ogiva per
tubo rame, filettatura femmina con
sede piana.
Straight fitting, nut and compression
ring, female thread with flat seat



Sede piana per guarnizione piana
Flat seat for flat washer

CODICE Code	TIPO Size	PREZZO Price €	CONF. Unit/Box
1102G001804FD	18 x 1/2"	vedi cap. 25	10/100
1102G002204FD	22 x 1/2"	vedi cap. 25	5/100

*Fino ad esaurimento scorte/ until out of stock

RACCORDI A COMPRESSIONE CON OGIVA IN OTTONE

COMPRESSION FITTINGS WITH BRASS RING



ART. 1003
Standard GASTEC/KIWA
Raccordo curvo doppio
Elbow double

CODICE Code	TIPO Size	PREZZO Price €	CONF. Unit/Box
1003G101000	10 x 10	2,12	10/100
1003G121200	12 x 12	1,87	10/100
1003G151500	15 x 15	2,06	10/100
1003G222200	22 x 22	3,32	5/75
1003G282800	28 x 28	5,74	5/25
1003G121000	12 x 10	2,24	10/100
1003G151000	15 x 10	2,53	10/100
1003G151200	15 x 12	2,50	10/100
1003G221500	22 x 15	3,72	5/100
1003G282200	28 x 22	6,45	5/50



ART. 1003N
Standard GASTEC/KIWA
Raccordo curvo doppio
Elbow double

CODICE Code	TIPO Size	PREZZO Price €	CONF. Unit/Box
1003N101000	10 x 10	2,33	10/100
1003N121200	12 x 12	2,05	10/100
1003N151500	15 x 15	2,35	10/100
1003N222200	22 x 22	3,68	5/75
1003N282800	28 x 28	6,78	5/25
1003N121000	12 x 10	3,21	10/100
1003N151000	15 x 10	3,19	10/100
1003N151200	15 x 12	2,76	10/100
1003N221500	22 x 15	4,09	5/100
1003N282200	28 x 22	7,12	5/50



ART. 1103
Raccordo curvo doppio
Elbow double

CODICE Code	TIPO Size	PREZZO Price €	CONF. Unit/Box
1103G080800	08 x 08	2,45	10/100
1103G141400	14 x 14	2,93	10/100
1103G161600	16 x 16	2,93	10/100
1103G181800	18 x 18	2,94	10/100
1103G353500	35 x 35	19,18	1/25
1103G424200	42 x 42	24,27	1/20
1103G545400*	54 x 54	30,74	1/10
1103G181500	18 x 15	4,15	10/100
1103G221800	22 x 18	5,29	5/75



ART. 1103N
Raccordo curvo doppio
Elbow double

CODICE Code	TIPO Size	PREZZO Price €	CONF. Unit/Box
1103N181800	18 x 18	3,24	10/100
1103N353500	35 x 35	21,13	1/25
1103N424200	42 x 42	26,71	1/20
1103N545400	54 x 54	33,82	1/10
1103N181500*	18 x 15	4,58	10/100
1103N221800	22 x 18	5,57	5/75



ART. 1133
Raccordo curvo doppio
tubo rame / tubo pex
Elbow double copper pipe
/ pex pipe connection



CODICE Code	TIPO Size	PREZZO Price €	CONF. Unit/Box
1133G221825	22 (Cu)/18 sp. 2,5 (Pex)	vedi cap. 25	5/100
1133G222230	22 (Cu)/22 sp. 3,0 (Pex)	vedi cap. 25	5/100

*Fino ad esaurimento scorte / until out of stock

RACCORDI A COMPRESSIONE CON OGIVA IN OTTONE

COMPRESSION FITTINGS WITH BRASS RING



ART. 1004

Filettatura ISO 7/EN 10226
Taper thread ISO 7/EN 10226
Standard GASTEC/KIWA

Raccordo curvo maschio
Elbow male

CODICE Code	TIPO Size	PREZZO Price €	CONF. Unit/Box
1004G001003	10 x 3/8"	2,12	10/100
1004G001203	12 x 3/8"	2,18	10/100
1004G001204	12 x 1/2"	2,35	10/100
1004G001504	15 x 1/2"	2,45	10/100
1004G001505	15 x 3/4"	3,72	5/100
1004G002204	22 x 1/2"	4,41	5/100
1004G002205	22 x 3/4"	4,65	5/75
1004G002206	22 x 1"	6,36	5/50
1004G002805	28 x 3/4"	7,94	5/50
1004G002806	28 x 1"	5,67	5/50



ART. 1004N

Filettatura ISO 7/EN 10226
Taper thread ISO 7/EN 10226
Standard GASTEC/KIWA

Raccordo curvo maschio
Elbow male

CODICE Code	TIPO Size	PREZZO Price €	CONF. Unit/Box
1004N001203	12 x 3/8"	2,41	10/100
1004N001204	12 x 1/2"	2,59	10/100
1004N001504	15 x 1/2"	2,68	10/100
1004N001505	15 x 3/4"	4,09	5/100
1004N002204*	22 x 1/2"	4,87	5/100
1004N002205	22 x 3/4"	5,12	5/75
1004N002206	22 x 1"	6,99	5/50
1004N002805	28 x 3/4"	8,76	5/50
1004N002806	28 x 1"	6,22	5/50



ART. 1104

Filettatura ISO 228
Parallel thread ISO 228

Raccordo curvo maschio
Elbow male

CODICE Code	TIPO Size	PREZZO Price €	CONF. Unit/Box
1104G000803	08 x 3/8"	2,40	10/100
1104G001004	10 x 1/2"	2,36	10/100
1104G001503	15 x 3/8"	4,03	10/100
1104G001504	15 x 1/2"	2,32	10/100
1104G001505	15 x 3/4"	3,82	5/75
1104G001804	18 x 1/2"	3,39	10/100
1104G001805	18 x 3/4"	3,79	5/75
1104G002204	22 x 1/2"	3,53	5/100
1104G002205	22 x 3/4"	3,82	5/75
1104G002206	22 x 1"	5,65	5/50
1104G002805	28 x 3/4"	7,39	5/50
1104G002806	28 x 1"	5,77	5/50
1104G003506*	35 x 1"	16,09	1/25
1104G003507	35 x 1"1/4	16,82	1/25
1104G004208	42 x 1"1/2	22,15	1/25



ART. 1104N

Filettatura ISO 228
Parallel thread ISO 228

Raccordo curvo maschio
Elbow male

CODICE Code	TIPO Size	PREZZO Price €	CONF. Unit/Box
1104N001504	15 x 1/2"	2,65	10/100
1104N001505	15 x 3/4"	4,18	5/75
1104N001804	18 x 1/2"	3,72	10/100
1104N001805	18 x 3/4"	4,21	5/75
1104N002204	22 x 1/2"	3,86	5/100
1104N002205	22 x 3/4"	4,18	5/75
1104N002806	28 x 1"	6,36	5/50
1104N003507*	35 x 1"1/4	18,48	1/25



ART. 1104FD

Filettatura ISO 228
Parallel thread ISO 228

Raccordo curvo maschio
con battuta piana
Elbow male with flat seat

CODICE Code	TIPO Size	PREZZO Price €	CONF. Unit/Box
1104G001505FD	15 x 3/4"	vedi cap. 25	5/75
1104G001605FD	16 x 3/4"	vedi cap. 25	5/100
1104G001805FD	18 x 3/4"	vedi cap. 25	5/75
1104G002205FD	22 x 3/4"	vedi cap. 25	5/75
1104G002206FD	22 x 1"	vedi cap. 25	5/50

*Fino ad esaurimento scorte/ until out of stock

RACCORDI A COMPRESSIONE CON OGIVA IN OTTONE

COMPRESSION FITTINGS WITH BRASS RING



ART. 1005

Filettatura ISO 7/EN 10226
Taper thread ISO 7/EN 10226
Standard GASTEC/KIWA

Raccordo curvo femmina
Elbow female

CODICE Code	TIPO Size	PREZZO Price €	CONF. Unit/Box
1005G001203	12 x 3/8"	2,91	10/100
1005G001204	12 x 1/2"	2,14	10/100
1005G001503	15 x 3/8"	3,48	10/100
1005G001504	15 x 1/2"	2,12	10/100
1005G001505	15 x 3/4"	4,07	5/75
1005G002204	22 x 1/2"	3,44	5/100
1005G002205	22 x 3/4"	3,82	5/75
1005G002206	22 x 1"	5,65	5/50
1005G002805	28 x 3/4"	6,72	5/50
1005G002806	28 x 1"	6,34	5/25



ART. 1005N

Filettatura ISO 7/EN 10226
Taper thread ISO 7/EN 10226
Standard GASTEC/KIWA

Raccordo curvo femmina
Elbow female

CODICE Code	TIPO Size	PREZZO Price €	CONF. Unit/Box
1005N001203	12 x 3/8"	3,35	10/100
1005N001503	15 x 3/8"	3,84	10/100
1005N001504	15 x 1/2"	2,29	10/100
1005N001505	15 x 3/4"	4,47	5/75
1005N002204	22 x 1/2"	3,79	5/100
1005N002205	22 x 3/4"	4,24	5/75
1005N002206	22 x 1"	6,22	5/50
1005N002805	28 x 3/4"	7,39	5/50
1005N002806	28 x 1"	7,01	5/25



ART. 1105

Filettatura ISO 228
Parallel thread ISO 228

Raccordo curvo femmina
Elbow female

CODICE Code	TIPO Size	PREZZO Price €	CONF. Unit/Box
1105G001003	10 x 3/8"	3,64	10/100
1105G001004	10 x 1/2"	2,11	10/100
1105G001404	14 x 1/2"	2,40	10/100
1105G001604	16 x 1/2"	2,40	10/100
1105G001804	18 x 1/2"	2,76	10/100
1105G001805	18 x 3/4"	3,98	5/75
1105G003507	35 x 1 1/4	17,08	1/25
1105G004208	42 x 1 1/2	22,32	1/20
1105G005409	54 x 2"	30,43	1/10



ART. 1105N

Filettatura ISO 228
Parallel thread ISO 228

Raccordo curvo femmina
Elbow female

CODICE Code	TIPO Size	PREZZO Price €	CONF. Unit/Box
1105N001804	18 x 1/2"	2,89	10/100
1105N001805	18 x 3/4"	4,38	5/75
1105N003507	35 x 1 1/4	18,78	1/25
1105N004208	42 x 1 1/2	24,55	1/25
1105N005409	54 x 2"	33,46	1/10

RACCORDI A COMPRESSIONE CON OGIVA IN OTTONE

COMPRESSION FITTINGS WITH BRASS RING



ART. 1106

Filettatura ISO 228
Parallel thread ISO 228
Raccordo curvo femmina con
flangia a 3 fori
Wallplate elbow female with 3 holes

CODICE Code	TIPO Size	PREZZO Price €	CONF. Unit/Box
1106G001004	10 x 1/2"	2,81	10/100
1106G001204	12 x 1/2"	2,81	10/100
1106G001404	14 x 1/2"	2,81	10/100
1106G001504	15 x 1/2"	2,68	10/80
1106G001505	15 x 3/4"	6,79	5/50
1106G001604	16 x 1/2"	2,95	10/100
1106G001804	18 x 1/2"	5,52	5/50
1106G001805	18 x 3/4"	6,60	5/50
1106G002204	22 x 1/2"	5,91	5/50
1106G002205	22 x 3/4"	7,35	5/50



ART. 1106N

Filettatura ISO 228
Parallel thread ISO 228
Raccordo curvo femmina con
flangia a 3 fori
Wallplate elbow female with 3 holes

CODICE Code	TIPO Size	PREZZO Price €	CONF. Unit/Box
1106N001504	15 x 1/2"	2,94	10/80
1106N001505*	15 x 3/4"	7,45	5/50
1106N001804	18 x 1/2"	6,09	5/50
1106N001805	18 x 3/4"	7,25	5/50
1106N002204	22 x 1/2"	6,49	5/50
1106N002205	22 x 3/4"	8,08	5/50

*Fino ad esaurimento scorte/ until out of stock

RACCORDI A COMPRESSIONE CON OGIVA IN OTTONE

COMPRESSION FITTINGS WITH BRASS RING



ART. 1007
Standard GASTEC/KIWA
Raccordo a T
Tee

CODICE Code	TIPO Size	PREZZO Price €	CONE. Unit/Box
1007G101010	10 x 10 x 10	2,75	10/100
1007G121212	12 x 12 x 12	2,80	10/100
1007G151515	15 x 15 x 15	3,03	10/100
1007G222222	22 x 22 x 22	5,08	5/50
1007G282828	28 x 28 x 28	8,11	5/25
1007G121512	12 x 15 x 12	4,16	10/100
1007G151212	15 x 12 x 12	4,29	10/100
1007G151215	15 x 12 x 15	4,60	10/100
1007G151512	15 x 15 x 12	3,72	10/100
1007G152215	15 x 22 x 15	4,60	5/50
1007G221515	22 x 15 x 15	4,21	5/50
1007G221522	22 x 15 x 22	4,41	5/50
1007G222215	22 x 22 x 15	4,94	5/50
1007G222822	22 x 28 x 22	8,76	5/25
1007G281522	28 x 15 x 22	10,56	5/25
1007G281528	28 x 15 x 28	7,42	5/25
1007G282222	28 x 22 x 22	8,77	5/25
1007G282228	28 x 22 x 28	7,72	5/25
1007G282815	28 x 28 x 15	8,79	5/25
1007G282822	28 x 28 x 22	8,76	5/25



ART. 1007N
Standard GASTEC/KIWA
Raccordo a T
Tee

CODICE Code	TIPO Size	PREZZO Price €	CONE. Unit/Box
1007N101010	10 x 10 x 10	3,03	10/100
1007N121212	12 x 12 x 12	3,10	10/100
1007N151515	15 x 15 x 15	3,38	10/100
1007N222222	22 x 22 x 22	5,58	5/50
1007N282828	28 x 28 x 28	9,45	5/25
1007N121512*	12 x 15 x 12	4,58	10/100
1007N151212*	15 x 12 x 12	4,73	10/100
1007N151215	15 x 12 x 15	5,07	10/100
1007N151512*	15 x 15 x 12	4,09	10/100
1007N152215	15 x 22 x 15	5,07	5/50
1007N221515	22 x 15 x 15	4,63	5/50
1007N221522	22 x 15 x 22	4,84	5/50
1007N222215	22 x 22 x 15	5,42	5/50
1007N222822*	22 x 28 x 22	9,64	5/25
1007N281522*	28 x 15 x 22	11,65	5/25
1007N281528	28 x 15 x 28	8,15	5/25
1007N282222	28 x 22 x 22	9,65	5/25
1007N282228	28 x 22 x 28	8,50	5/25
1007N282815	28 x 28 x 15	9,69	5/25
1007N282822	28 x 28 x 22	9,64	5/25



ART. 1107
Raccordo a T
Tee

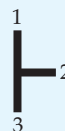
CODICE Code	TIPO Size	PREZZO Price €	CONE. Unit/Box
1107G080808	08 x 08 x 08	3,54	10/100
1107G141414	14 x 14 x 14	5,01	10/100
1107G161616	16 x 16 x 16	5,12	10/80
1107G181818	18 x 18 x 18	4,55	5/50
1107G353535	35 x 35 x 35	16,98	1/20
1107G424242	42 x 42 x 42	27,60	1/15
1107G545454*	54 x 54 x 54	43,58	1/7
1107G181515	18 x 15 x 15	6,01	5/75
1107G181518	18 x 15 x 18	6,05	5/75
1107G181815	18 x 18 x 15	6,05	5/75
1107G221818	22 x 18 x 18	7,55	5/50
1107G221822	22 x 18 x 22	7,61	5/50
1107G222218	22 x 22 x 18	7,61	5/50
1107G283528*	28 x 35 x 28	18,88	1/25
1107G352235	35 x 22 x 35	18,88	1/20



ART. 1107N
Raccordo a T
Tee

CODICE Code	TIPO Size	PREZZO Price €	CONE. Unit/Box
1107N181818	18 x 18 x 18	5,03	5/50
1107N353535	35 x 35 x 35	18,69	1/20
1107N424242	42 x 42 x 42	30,36	1/15
1107N545454	54 x 54 x 54	47,93	1/7
1107N181515	18 x 15 x 15	6,60	5/75
1107N181518	18 x 15 x 18	6,64	5/75
1107N181815	18 x 18 x 15	6,64	5/75
1107N221818*	22 x 18 x 18	8,29	5/50
1107N221822	22 x 18 x 22	8,39	5/50
1107N222218	22 x 22 x 18	8,39	5/50
1107N352235	35 x 22 x 35	20,76	1/20

SENSO DI LETTURA PER RACCORDI A T
WAY TO READ THE TEE (international system)



*Fino ad esaurimento scorte/ until out of stock

RACCORDI A COMPRESSIONE CON OGIVA IN OTTONE

COMPRESSION FITTINGS WITH BRASS RING



ART. 1009

Filettatura ISO 7/EN 10226
Taper thread ISO 7/EN 10226
Standard GASTEC/KIWA

Raccordo a T femmina
Tee female

CODICE Code	TIPO Size	PREZZO Price €	CONF. Unit/Box
1009G120312	12 x 3/8" x 12	5,67	10/100
1009G120412	12 x 1/2" x 12	3,54	10/100
1009G150215	15 x 1/4" x 15	4,20	10/100
1009G150415	15 x 1/2" x 15	3,38	10/100
1009G220422	22 x 1/2" x 22	4,74	5/50
1009G220522	22 x 3/4" x 22	6,48	5/50
1009G220622	22 x 1" x 22	10,44	5/25
1009G280428	28 x 1/2" x 28	9,65	5/25
1009G280528	28 x 3/4" x 28	9,94	5/25
1009G280628	28 x 1" x 28	10,96	5/25



ART. 1009N

Filettatura ISO 7/EN 10226
Taper thread ISO 7/EN 10226
Standard GASTEC/KIWA

Raccordo a T femmina
Tee female

CODICE Code	TIPO Size	PREZZO Price €	CONF. Unit/Box
1009N150215	15 x 1/4" x 15	4,64	10/100
1009N150415	15 x 1/2" x 15	3,71	10/100
1009N220422	22 x 1/2" x 22	5,21	5/50
1009N220522	22 x 3/4" x 22	7,12	5/50
1009N280428	28 x 1/2" x 28	10,62	5/25
1009N280528	28 x 3/4" x 28	10,93	5/25
1009N280628	28 x 1" x 28	12,04	5/25



ART. 1109

Filettatura ISO 228
Parallel thread ISO 228

Raccordo a T femmina
Tee female

CODICE Code	TIPO Size	PREZZO Price €	CONF. Unit/Box
1109G140414	14 x 1/2" x 14	3,54	10/100
1109G160416	16 x 1/2" x 16	3,54	10/90
1109G180418	18 x 1/2" x 18	4,33	5/50
1109G180518	18 x 3/4" x 18	5,79	5/50
1109G350735	35 x 1"1/4 x 35	23,95	1/20
1109G420842 *	42 x 1"1/2 x 42	27,57	1/15



ART. 1109N

Filettatura ISO 228
Parallel thread ISO 228

Raccordo a T femmina
Tee female

CODICE Code	TIPO Size	PREZZO Price €	CONF. Unit/Box
1109N180418	18 x 1/2" x 18	4,77	5/50
1109N180518	18 x 3/4" x 18	6,35	5/50
1109N350735	35 x 1"1/4 x 35	26,34	1/20
1109N420842 *	42 x 1"1/2 x 42	30,35	1/15



ART. 1108

Filettatura ISO 228
Parallel thread ISO 228

Raccordo a T maschio
Tee male

CODICE Code	TIPO Size	PREZZO Price €	CONF. Unit/Box
1108G150415	15 x 1/2" x 15	3,81	10/100
1108G180418	18 x 1/2" x 18	5,57	10/50
1108G220522	22 x 3/4" x 22	9,61	5/50



ART. 1013

Filettatura ISO 228
Parallel thread ISO 228
Raccordo curvo femmina con 3
attacchi femmina da 3/8"
Elbow female with three 3/8" end
connection

CODICE Code	TIPO Size	PREZZO Price €	CONF. Unit/Box
1013G220603	22 x 1"	9,24	5/50



ART. 1138

Raccordo a T tubo rame/
tubo Pe-x / tubo rame
Tee copper pipe / Pe-x pipe
/ copper pipe connection

CODICE Code	TIPO Size	PREZZO Price €	CONF. Unit/Box
1138G22182522	22(Cu)/18 sp.2,5 (Pex)/22(Cu)	vedi cap. 25	5/50
1138G22223022	22(Cu)/22 sp.3,0 (Pex)/22(Cu)	vedi cap. 25	5/50

*Fino ad esaurimento scorte / until out of stock

RACCORDI A COMPRESSIONE CON OGIVA IN OTTONE

COMPRESSION FITTINGS WITH BRASS RING



ART. 1010
Standard GASTEC/KIWA
Croce
Cross

CODICE Code	TIPO Size	PREZZO Price €	CONF. Unit/Box
1010G15151515	15 x 15 x 15 x 15	6,80	5/50
1010G22222222	22 x 22 x 22 x 22	9,47	5/25
1010G28282828	28 x 28 x 28 x 28	17,88	1/25
1010G22151515	22 x 15 x 15 x 15	10,59	5/50
1010G22152215	22 x 15 x 22 x 15	10,59	5/50
1010G2221515*	22 x 22 x 15 x 15	10,59	5/50



ART. 1010N
Standard GASTEC/KIWA
Croce
Cross

CODICE Code	TIPO Size	PREZZO Price €	CONF. Unit/Box
1010N15151515*	15 x 15 x 15 x 15	7,49	5/50
1010N22222222	22 x 22 x 22 x 22	12,20	5/25
1010N22151515*	22 x 15 x 15 x 15	11,65	5/50
1010N22152215	22 x 15 x 22 x 15	11,65	5/50
1010N2221515*	22 x 22 x 15 x 15	11,65	5/50



ART. 1110
Croce
Cross

CODICE Code	TIPO Size	PREZZO Price €	CONF. Unit/Box
1110G18181818	18 x 18 x 18 x 18	11,05	5/50



ART. 1110N
Croce
Cross

CODICE Code	TIPO Size	PREZZO Price €	CONF. Unit/Box
1110N18181818*	18 x 18 x 18 x 18	12,15	5/50



ART. 1035
Standard GASTEC/KIWA
Terminale
Stop end

CODICE Code	TIPO Size	PREZZO Price €	CONF. Unit/Box
1035G1091	10	1,15	10/600
1035G1203	12	0,97	10/400
1035G1504	15	1,32	10/350
1035G2261	22	2,33	5/150
1035G2863	28	3,36	5/100



ART. 1035N
Standard GASTEC/KIWA
Terminale
Stop end

CODICE Code	TIPO Size	PREZZO Price €	CONF. Unit/Box
1035N1203	12	1,05	10/400
1035N1504	15	1,42	10/350
1035N2261	22	2,55	5/150
1035N2863*	28	3,71	5/100



ART. 1135
Terminale
Stop end

CODICE Code	TIPO Size	PREZZO Price €	CONF. Unit/Box
1135G0802	08	1,27	10/700
1135G1824	18	2,56	10/220
1135G3566	35	11,20	1/50
1135G5469*	54	25,45	1/30



ART. 1135N
Terminale
Stop end

CODICE Code	TIPO Size	PREZZO Price €	CONF. Unit/Box
1135N1824	18	2,82	10/220
1135N3566*	35	12,32	1/80
1135N4267*	42	16,98	1/50

*Fino ad esaurimento scorte/ until out of stock

RACCORDI A COMPRESSIONE CON OGIVA IN OTTONE

COMPRESSION FITTINGS WITH BRASS RING



ART. 1014
Standard GASTEC/KIWA
Dado
Nut

CODICE Code	TIPO Size	PREZZO Price €	CONF. Unit/Box
1014G000802	08	0,51	100/1500
1014G001091	10	0,49	100/1500
1014G001203	12	0,49	100/1500
1014G001504	15	0,57	50/700
1014G002261	22	0,79	25/400
1014G002863	28	1,18	25/250



ART. 1014N
Standard GASTEC/KIWA
Dado
Nut

CODICE Code	TIPO Size	PREZZO Price €	CONF. Unit/Box
1014N001091	10	0,54	100/1500
1014N001203	12	0,54	100/1500
1014N001504	15	0,63	50/700
1014N002261	22	0,87	25/400
1014N002863	28	1,29	25/250



ART. 1114
Dado
Nut

CODICE Code	TIPO Size	PREZZO Price €	CONF. Unit/Box
1114G001824	18	0,72	50/600
1114G003566	35	3,45	10/50
1114G004267	42	4,10	10/50
1114G005469	54	7,37	10/50



ART. 1114N
Dado
Nut

CODICE Code	TIPO Size	PREZZO Price €	CONF. Unit/Box
1114N001824	18	0,78	50/600
1114N003566	35	3,80	10/50
1114N004267	42	4,51	10/50
1114N005469	54	8,11	10/50



ART. 1015
Standard GASTEC/KIWA
Ogiva
Compression ring

CODICE Code	TIPO Size	PREZZO Price €	CONF. Unit/Box
1015G0610	10	0,23	50/5000
1015G0712	12	0,26	50/3000
1015G0815	15	0,29	50/2000
1015G0822	22	0,39	50/1200
1015G0928	28	0,47	50/800



ART. 1115
Ogiva
Compression ring

CODICE Code	TIPO Size	PREZZO Price €	CONF. Unit/Box
1115R0508 *	08	0,37	50/8000
1115G0814	14	0,31	50/3000
1115G0816	16	0,37	50/2300
1115G0818	18	0,30	50/2000
1115G1035	35	1,03	50/300
1115G1042	42	1,39	50/200
1115G1354	54	1,70	10/130

*In rame / copper compression ring



ART. 1116
Bussola di rinforzo per tubo rame
Pipe support for copper pipe

CODICE Code	MISURA Size	PREZZO Price €	CONF. Unit/Box
1116G080100	08 x 1,0	0,47	100/3500
1116G100100	10 x 1,0	0,31	100/3500
1116G120100	12 x 1,0	0,36	100/2500
1116G140100	14 x 1,0	0,44	100/1500
1116G150100	15 x 1,0	0,48	100/1300
1116G160100	16 x 1,0	0,49	100/1000
1116G180100	18 x 1,0	0,59	100/800
1116G220100	22 x 1,0	0,74	50/500

"Misura" si riferisce alle dimensioni del tubo
"Size" is referred to the pipe dimensions



ART. 1120
Bussola di rinforzo per tubo Pe-x
Pipe support for Pe-x pipe

CODICE Code	MISURA Size	PREZZO Price €	CONF. Unit/Box
1120G122000	12 x 2,0	0,42	100/2500
1120G152500	15 x 2,5	0,42	100/2000
1120G182500	18 x 2,5	0,49	100/1200
1120G223000	22 x 3,0	0,72	50/700
1120G283000	28 x 3,0	1,23	50/400
1120G284000	28 x 4,0	1,68	50/400

"Misura" si riferisce alle dimensioni del tubo
"Size" is referred to the pipe dimensions

RACCORDI A COMPRESSIONE CON OGIVA IN OTTONE

COMPRESSION FITTINGS WITH BRASS RING



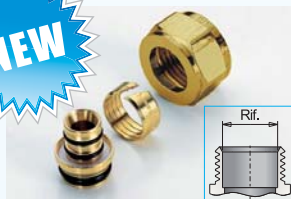
ART. 1037
Standard GASTEC/KIWA
T ad angolo
Angle tee

CODICE Code	TIPO Size	PREZZO Price €	CONF. Unit/Box
1037G151515	15 x 15 x 15	6,61	10/100
1037G221515	22 x 15 x 15	9,53	5/50
1037G221522	22 x 15 x 22	9,70	5/50
1037G222222	22 x 22 x 22	10,12	5/40



ART. 1037N
Standard GASTEC/KIWA
T ad angolo
Angle tee

CODICE Code	TIPO Size	PREZZO Price €	CONF. Unit/Box
1037N151515	15 x 15 x 15	7,26	10/100
1037N221515	22 x 15 x 15	10,48	5/50
1037N221522	22 x 15 x 22	10,69	5/50
1037N222222	22 x 22 x 22	11,12	5/40



ART. 1631G
Per tubo multistrato
for multilayer pipe
Set dado + ogiva + inserto
Nut + compression ring + insert

CODICE Code	TIPO Size	PREZZO Price €	CONF. Unit/Box
1631G162015	16 x 2,0 - Rif Ø 15	2,06	10/200
1631G1622515	16 x 2,25 - Rif Ø 15	2,44	10/200
1631G202022	20 x 2,0 - Rif Ø 22	2,47	10/350
1631G252528**	25 x 2,5 - Rif Ø 28	5,62	10
1631G263028	26 x 3,0 - Rif Ø 28	5,12	10/150
1631G323035**	32 x 3,0 - Rif Ø 35	17,50	10

** Disponibile a richiesta / available on request

adattatore
adapter

tubi multistrato
multilayer pipe

RIF.

RIF Ref.	TUBO MULTISTRATO Multilayer pipe	COD. ADATTATORE Adapter Cod
15	16 x 2,0	1631G162015
15	16 x 2,25	1631G1622515
22	20 x 2,0	1631G202022
28	25 x 2,5	1631G252528
28	26 x 3,0	1631G263028
35	32 x 3,0	1631G323035

RACCORDI A COMPRESSIONE CON OGIVA IN OTTONE

COMPRESSION FITTINGS WITH BRASS RING



ART. 1039
 Filettatura ISO 7/EN 10226
 Taper thread ISO 7/EN 10226
 Standard GASTEC/KIWA
 Raccordo a T femmina laterale
 Lateral female tee

CODICE Code	TIPO Size	PREZZO Price €	CONF. Unit/Box
1039G151504	15 x 15 x 1/2"	4,67	10/90
1039G222204	22 x 22 x 1/2"	4,74	5/60
1039G222205	22 x 22 x 3/4"	8,19	5/50



ART. 1039N
 Filettatura ISO 7/EN 10226
 Taper thread ISO 7/EN 10226
 Standard GASTEC/KIWA
 Raccordo a T femmina laterale
 Lateral female tee

CODICE Code	TIPO Size	PREZZO Price €	CONF. Unit/Box
1039N151504	15 x 15 x 1/2"	5,13	10/90
1039N222204	22 x 22 x 1/2"	5,20	5/60
1039N222205*	22 x 22 x 3/4"	9,00	5/50



ART. 1139
 Filettatura ISO 228
 Parallel thread ISO 228
 Raccordo a T femmina laterale
 Lateral female tee

CODICE Code	TIPO Size	PREZZO Price €	CONF. Unit/Box
1139G181804	18 x 18 x 1/2"	7,37	5/70



ART. 1140
 Filettatura ISO 228
 Parallel thread ISO 228
 Raccordo diritto con giello
 Straight fitting with lose nut

CODICE Code	TIPO Size	PREZZO Price €	CONF. Unit/Box
1140G001504	15 x 1/2"	2,96	10/200
1140G001505	15 x 3/4"	4,91	5/150
1140G002205	22 x 3/4"	6,02	5/100

N.B.: Utilizzare le guarnizioni a corredo/ supplied with washers



ART. 1141
 Filettatura ISO 228
 Parallel thread ISO 228
 Curvo con giello
 Elbow with lose nut

CODICE Code	TIPO Size	PREZZO Price €	CONF. Unit/Box
1141G001504	15 x 1/2"	4,29	10/150
1141G002205	22 x 3/4"	6,57	5/100

N.B.: Utilizzare le guarnizioni a corredo/ supplied with washers



ART. 1142
 Raccordo diritto doppio con
 spurgo - tubo rame/ tubo rame
 Double straight fitting with drain
 copper/copper connection

CODICE Code	TIPO Size	PREZZO Price €	CONF. Unit/Box
1142G001515	15 x 15	10,03	5/90
1142G002222	22 x 22	11,00	5/60
1142G002828*	28 x 28	13,16	5/35



ART. 1143
 Curva con spurgo - tubo
 rame/ tubo rame
 Elbow with drain off-cock
 copper/copper connection

CODICE Code	TIPO Size	PREZZO Price €	CONF. Unit/Box
1143G002222	22 x 22	11,00	5/50



ART. 1144
 Filettatura ISO 228
 Curva con spurgo - tubo
 rame/ maschio
 Elbow with drain off-cock cop-
 per/male connection

CODICE Code	TIPO Size	PREZZO Price €	CONF. Unit/Box
1144G002205	22 x 3/4"	10,63	5/60

TABELLA DI SERRAGGIO DADO FOLLE ART. 1140-1141 n° giri/LOOSE NUT TIGHTENING TABLE ART. 1140-1141 n° turns

CODICE/CODE	1140G001504	1140G001505	1140G002205	1141G001504	1141G002205
N. GIRI/TURNS	max 1/2	max 1/4	max 1/4	max 1/2	max 1/4

*Fino ad esaurimento scorte/ until out of stock

RACCORDI A COMPRESSIONE CON OGIVA IN OTTONE

COMPRESSION FITTINGS WITH BRASS RING



ART. 1147
Bussola di riduzione
Reducing bush

CODICE Code	TIPO Size	PREZZO Price €	CONF. Unit/Box
1147G1814*	18 x 14	2,13	25/750
1147G1816	18 x 16	2,11	25/750
1147G3528	35 x 28	4,74	5/130
1147G4228	42 x 28	6,82	1/120
1147G4235	42 x 35	7,00	1/120
1147G5428	54 x 28	13,16	1/60
1147G5435	54 x 35	13,29	1/60
1147G5442*	54 x 42	14,06	1/60
1147G1008CZ*	10 x 08	2,36	25/1500
1147G1208CZ	12 x 08	4,56	25/1300
1147G1210CZ	12 x 10	1,03	25/1300
1147G1508CZ	15 x 08	1,52	25/900
1147G1510CZ	15 x 10	1,41	25/900
1147G1512CZ	15 x 12	1,23	25/900
1147G1812CZ	18 x 12	2,14	25/750
1147G1815CZ	18 x 15	1,83	25/750
1147G2212CZ	22 x 12	1,88	25/500
1147G2215CZ	22 x 15	1,39	25/500
1147G2218CZ	22 x 18	2,36	25/500
1147G2815CZ	28 x 15	2,15	25/300
1147G2822CZ	28 x 22	2,27	10/300

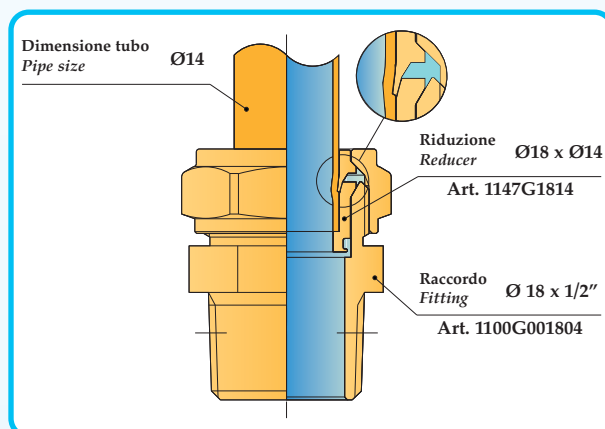


ART. 1145
Filettatura ISO 228
Parallel thread ISO 228

Attacco per serbatoi
Tank connector

CODICE Code	TIPO Size	PREZZO Price €	CONF. Unit/Box
1145G1504	15	3,65	10/130
1145G2261	22	4,89	5/70
1145G2863	28	7,28	5/50
1145G3566	35	13,21	1/40
1145G4267	42	20,18	1/25
1145G5469	54	35,21	1/20

Art. 1147 ESEMPIO DI INSTALLAZIONE TIPICA EXAMPLE OF TYPICAL INSTALLATION



Le bussole di riduzione art. 1147G sono indicate unicamente per l'impiego con tubi di rame o di acciaio calibrato; per ogni altra applicazione contattare il nostro Ufficio Tecnico.

Al fine di assicurare una maggiore facilità di montaggio ed una migliore tenuta, è assolutamente necessario lubrificare le bussole con olio o grasso idoneo per acqua potabile, in modo tale da ottenere una deformazione omogenea.

Per le operazioni di serraggio del raccordo procedere come segue:

- serrare a mano il raccordo per quanto possibile
- con una chiave serrare ancora per 1/4 di giro sino alla rottura dell'ogiva
- completare il serraggio secondo il numero di giri indicato in tabella.

Reducing bush art. 1147G is suitable only for copper pipes or calibrated steel pipes. for any other application please contact our Technical Service.

The bush must be lubricated with potable oil or grease in order to allow a more uniform strain and also to obtain an easier assembling.

Fitting assembling:

- screw the nut manually as much as possible
- by a spanner screw the nut for a 1/4 of turn till the ring breaks
- finally screw again the nut according to the number of turns indicated in the table.

CODICE Code	ROTTURA Breaking p.	GIRI SERRAGGIO Tighten turns	
1147G1008CZ	1/4	min. 1	max. 1 1/4
1147G1210CZ	1/4	min. 1	max. 1 1/4
1147G1508CZ	1/4	min. 1	max. 1 1/4
1147G1510CZ	1/4	min. 1	max. 1 1/4
1147G1512CZ	1/4	min. 1 1/4	max. 1 1/2
1147G1812CZ	1/4	min. 1	max. 1 1/4
1147G1814	1/4	min. 1	max. 1 1/4
1147G1815CZ	1/4	min. 1	max. 1 1/4
1147G1816	1/4	min. 1	max. 1 1/4
1147G2212CZ	1/4	min. 1 1/4	max. 1 1/2
1147G2215CZ	1/4	min. 1 1/4	max. 1 1/2
1147G2218CZ	1/4	min. 1	max. 1 1/4
1147G2815CZ	1/4	min. 1	max. 1 1/4
1147G2822CZ	1/4	min. 1	max. 1 1/4
1147G3528	1/4	min. 1	max. 1 1/4
1147G4228	1/4	min. 3/4	max. 1
1147G4235	1/4	min. 3/4	max. 1
1147G5428	1/4	min. 3/4	max. 1
1147G5435	1/4	min. 3/4	max. 1
1147G5442*	1/4	min. 3/4	max. 1

*Fino ad esaurimento scorte / until out of stock

RACCORDI A COMPRESSIONE CON OGIVA IN OTTONE

COMPRESSION FITTINGS WITH BRASS RING

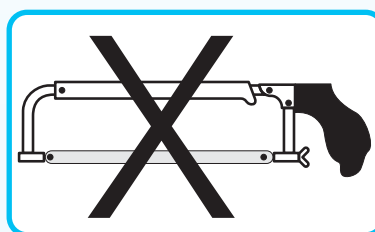
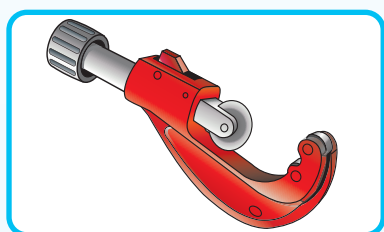
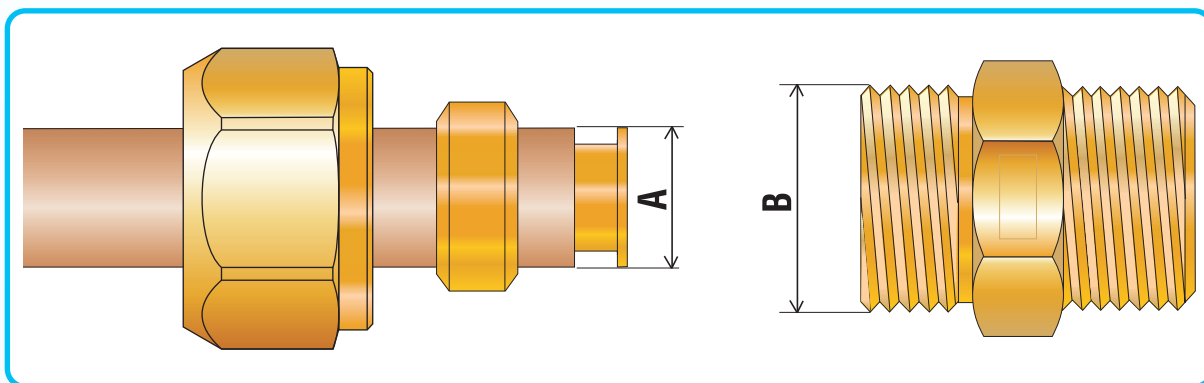


TABELLA FILETTATURE/THREADS TABLE

A	08	10	12	15	18	22	28	35	42	54
B	G 1/4"	9/16-24 UNEF-24	G 3/8"	G 1/2"	M24 x 1,5	W 1"1/8 x 1/14	W 1"3/8 x 1/14	W 42,06 x 14Tpi	W 49,5 x 11Tpi	W 63,5 x 11Tpi

TABELLA DI SERRAGGIO DADO - n° giri/NUT TIGHTENING TABLE - n. turns

A	08	10	12	14	15	16	18	22	28	35	42	54
N° GIRI/TURNS	1-1/4	1-1/4	1-1/4	1-1/4	1-1/4	1-1/4	1-1/4	1-1/4	1	1	1	1

In rosso le misure della serie 1000/Red colour measure of 1000 series

ISTRUZIONI PER IL CORRETTO MONTAGGIO

TAGLIO DEL TUBO

È consigliabile eseguire il taglio del tubo rame con appositi strumenti che consentono un taglio senza bave e perfettamente perpendicolare all'asse del tubo.

SBAVATURA E PULITURA DEL TUBO

Sbavare bene il tubo e pulirlo per eliminare eventuali trucioli residui.

Utilizzando tubo in rame ricotto usare la bussola di rinforzo art. 1116

MONTAGGIO DEL RACCORDO

Infilare dado e ogiva sul tubo. Avvitare il dado a mano per quanto consentito, poi in base alla misura del tubo rame chiudere con chiave come da tabella.

N.B.: Al fine di assicurare una maggiore facilità di montaggio ed una miglior tenuta è consigliabile lubrificare le ogive con olio o grasso, idoneo per acqua potabile.

INSTRUCTIONS FOR THE CORRECT ASSEMBLING

PIPE CUTTING

Use the appropriate instruments which allow a precise cut, perpendicular and without any trimming.

PIPE CLEANING

Clear the pipe carefully in order to remove any remaining trimming. For soft copper pipe use pipe support art. 1116

ASSEMBLING OF THE FITTING

Put the nut and the ring on the pipe. Tighten the nut by hand as much as possible then use a key following the above table.

N.B.: It is necessary to lubricate the ring with potable oil or grease to allow a more uniform and plastic strain and make easier the assembly.